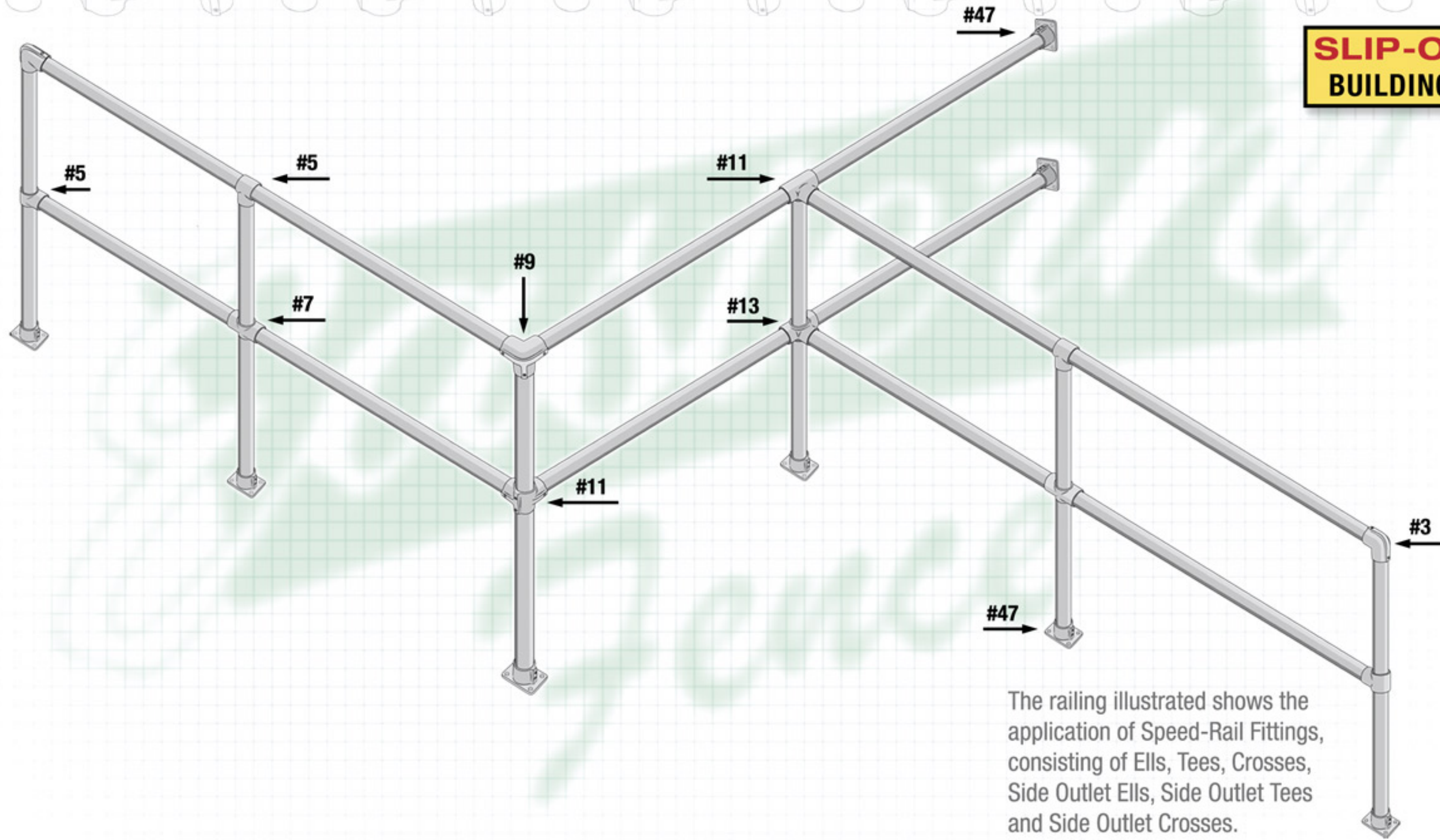


SPEED-RAIL

ALUMINUM FITTINGS



SLIP-ON DESIGN MAKES BUILDING WITH PIPE EASY!



#17
ADJ. ELL OR TEE



#23
ADJ. TEE OR CROSS



#13
SIDE OUTLET CROSS



#62
PLUG



The railing illustrated shows the application of Speed-Rail Fittings, consisting of Ells, Tees, Crosses, Side Outlet Ells, Side Outlet Tees and Side Outlet Crosses.

#7
CROSS



#47
FLANGE



#11
SIDE OUTLET TEE



#5
TEE



#9
SIDE OUTLET ELL

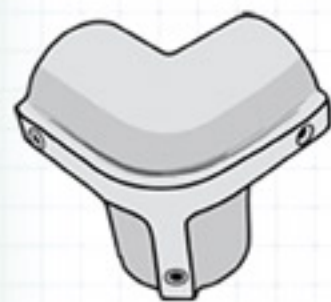


#3
ELBOW

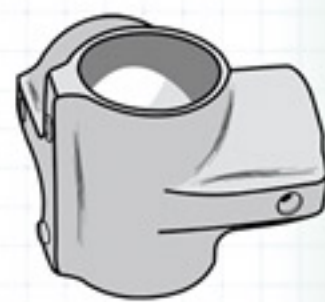


SPEED-RAIL

ALUMINUM FITTINGS



Q&A



Q: Can *Eastern* Speed-Rail aluminum fittings be used with steel and stainless steel pipe?

A: Although most aluminum alloys will corrode when combined with a dissimilar metal (i.e. steel, black iron, stainless steel), the aluminum/magnesium alloy 535 which is used to manufacture all cast fittings is the most corrosive resistant casting alloy available and can be used with any type of metal.

Q: Have *Eastern* Fittings been tested in corrosive environments?

A: Yes, Eastern's standard fittings have been tested for 1000 hrs. of salt spray (per ASTM B117 specifications) after which the set screws could still be removed and retightened.

Q: If I have an extremely corrosive environment, are there any additional coatings or features that are available for fittings to ensure that the installation performs and continues to look good for a long time?

A: The standard material is highly corrosive resistant, however, for the most extreme environments, we recommend that the fittings be anodized and that stainless steel set screws be used.

Q: Should the fittings be used in a chlorine rich environment?

A: No. The chlorine aggressively attacks the aluminum, which can result in significant deterioration of our product. Our recommendation would be to use reinforced fiberglass railing in this environment.

Q: What pipe materials can I use with *Eastern* Speed-Rail fittings?

A: Any metal pipe (including galvanized steel, stainless, black iron, aluminum, etc.) can be used with our slip-on fittings as long as it is sized properly. Plastic, FRP and thin wall sleaving should never be used unless a reinforcing dowel is also used inside the pipe.

AVAILABLE IN 1-3/8", 1-5/8", 2", AND 2-1/2" O.D.
FITS OUR *Eastern* SYSTEM 21 COLOR PIPE.

OTHER STYLES AVAILABLE



PHONE: 800-339-3362 • FAX: 631-698-6408

www.easternfence.com

Eastern Fence

SUPPLIERS TO THE TRADE ONLY

Eastern Fence

Eastern Fence

SPEED-RAIL

FITTINGS

