

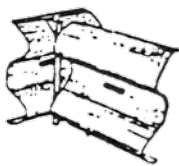


274 Middle Island Rd.
Medford, NY 11763

1-631-698-0900
1-800-339-3362
Fax# 1-631-698-6408
www.easternfence.com

GUIDE/BARRIER RAIL - STEEL HIGHWAY RIBBON STYLE - GALVANIZED

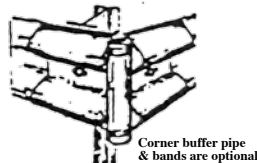
Rails, available in either 10 ga. or 12 ga. thickness, are 13' 6" long. Due to rail overlap, the erected section length will be 12'-6". Posts are available either 5'-0" or 5'-9" long and are pre-punched to accept offset blocks and/or all standard rails.



INSIDE CORNER



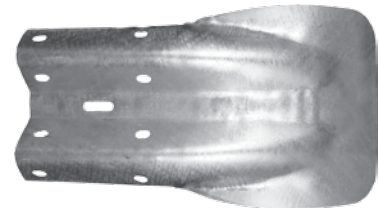
RAIL



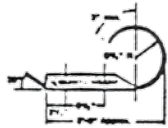
OUTSIDE CORNER



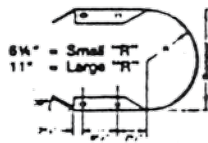
BLK13



FLR



SINGLE BUFFER



DOUBLE BUFFER



FLARED END

(BOX BEAM AVAILABLE)

Chart for Hardware for Guardrail:

Rail = 8 Short Bolts, 8 Nuts
Flairs = 4 Short Bolts, 4 Nuts
Single Wraps = 4 Short Bolts, 4 Nuts
Double Wraps = 8 Short Bolts, 8 Nuts
Posts = 1 Long Bolt, 1 Nut, 1 Washer

ITEM #	DESCRIPTION	PRICE EACH
GR12	12 ga. Galv. Rails	
GR10	10 ga. Galv. Rails	
GRP59	Posts 4 x 6, 8.5 lbs/ft x 5' 9"	
SWA	Single Wrap Arounds	
FLR	Flairs	
DWA	Double Wrap Arounds	
CCI	Corner Connector (Inside)	
CCO	Corner Connector (Outside)	
BLK13	13" Offset Wood Blocks	
BUP	Back-up Plates	
GRL	Long Bolt 5/8 x 2"	
GRS	Short Bolt 5/8 x 1-1/4"	
GRW	Hex Washer	
GRN	Double Recess Nut 5/8"	
GRB10	5/8" x 10" Guard Rail Block Bolt	



274 Middle Island Rd.
Medford, NY 11763

1-631-698-0900
1-800-339-3362
Fax# 1-631-698-6408
www.easternfence.com

GUIDE/BARRIER RAIL - WOOD

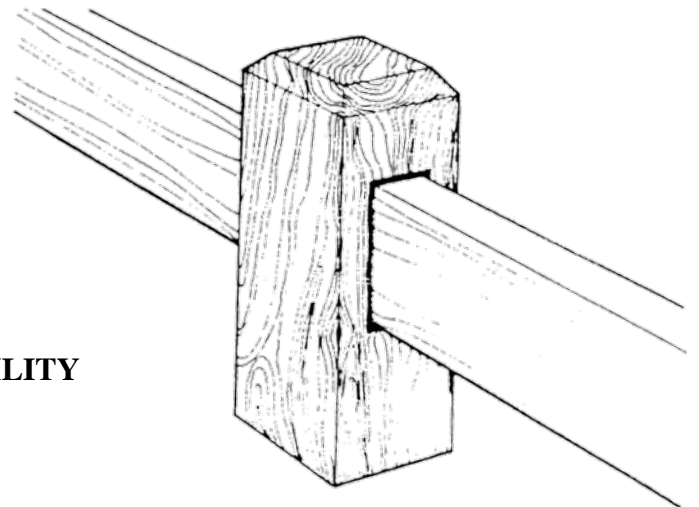
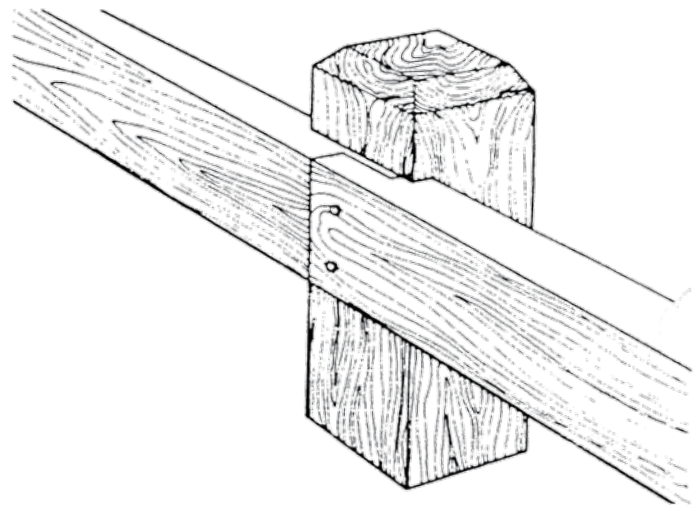
8 X 8 X 5' 4" Southern Yellow Pine

MORTISE or NOTCH Styles .40 CCA Treated

For maximum effectiveness all milling is done prior to treatment.

30 YEAR GUARANTEE

DESCRIPTION	ITEM NO.	PRICE EA.
NOTCH:		
NOTCHED POST	WGRN	
MORTISE:		
LINE POST	WGRML	
END POST	WGRME	
CORNER POST	WGRMC	
RAIL:		
4 x 8 x 10 RAIL	WGRR	
1/2 x 6" GALV. LAG	WGRLAG	



**FOR OTHER STYLES
CALL FOR PRICE AND AVAILABILITY**