

Ornamental Fence Hardware and Components

Hinges
Latches
Caps
Finials
Brackets
Accessories

NATIONWIDE
INDUSTRIES

Phone: (813) 988-2628 • Fax: (866) 988-3465 • Email: info@nationwideindustries.com

CornerStone® Self-Closing Nylon Hinges



CornerStone®
the **MILLION**
Cycle Hinge*

Pictured Left: CornerStone®
Self-Closing Adjustable Hinge.
CH200F-BK (Black).
Fits Square Profiles.

For Aluminum and Steel Gates

The durability of glass-filled nylon along with high quality manufacturing and design, make the Cornerstone® an ideal choice when you are searching for a very strong, easy-to-install and cost-effective self-closing hinge. With a variety of options available, you will be assured that you have the right hardware for the right application.

- ▶ **Heavy Duty** Commercial Grade
- ▶ Glass-filled nylon construction for superior **strength, durability** and **low maintenance**
- ▶ No rusting or staining

Ltd
LIFETIME
Warranty!

Available in Black or White

You Choose the Screws

- ▶ Self-drilling stainless screws for applications in aluminium
or
- ▶ Self-drilling zinc plated steel screws for applications in steel



Easy and
Convenient!

Easy Tension Adjustment

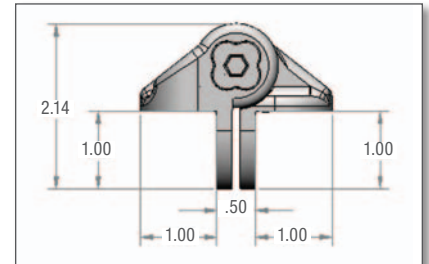
- ▶ Just push down and turn. A one-step process that is quick and avoids stripping. **Allen wrench included.**

* Cornerstone® springs tested to 1 million weighted cycles on a 6' x 4' privacy gate

Patented

CornerStone® Series Self-Closing Nylon Hinges

CornerStone® Non Adjustable Hinge



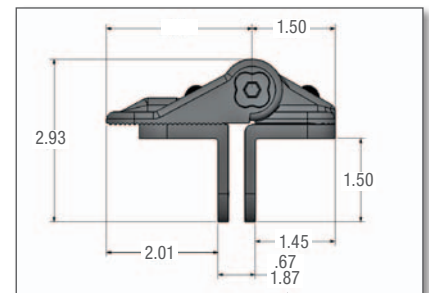
Patented

- CH100N-SD-BK** Black w/stainless steel self-drilling screws included
- CH100N-SD-WH** White w/stainless steel self-drilling screws included
- CH100N-ZD-BK** Black w/zinc plated steel self-drilling screws included
- CH100N-ZD-WH** White w/zinc plated steel self-drilling screws included

- ▶ Post and Gate flanges: 1"(W) x 1"(D)
- ▶ Produced with durable glass-filled nylon
- ▶ 1/4" Allen wrench **included** for tension adjustment
- ▶ 20 pair per case @19lbs

Point-Load
Tested to
1000 lbs
per pair!

CornerStone® Square Post Fully Adjustable Hinge



Patented

Double dimensions indicate range of adjustability

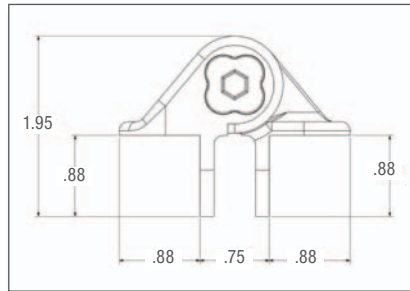
- CH200F-SD-BK** Black w/stainless steel self-drilling screws included
- CH200F-SD-WH** White w/stainless steel self-drilling screws included
- CH200F-ZD-BK** Black w/zinc plated steel self-drilling screws included
- CH200F-ZD-WH** White w/zinc plated steel self-drilling screws included

- ▶ Horizontally adjustable up to 1 1/4"
- ▶ Vertically adjustable up to 1/2"
- ▶ Fits both right and left hand applications
- ▶ Includes stainless steel or steel self-drilling screws
- ▶ 1/4" Allen wrench **included** for tension adjustment
- ▶ 20 pair per case @40lbs

Point-Load
Tested to
1000 lbs
per pair!

CornerStone® Self-Closing Nylon Hinges

CornerStone® MINI Vertically Adjustable Hinge



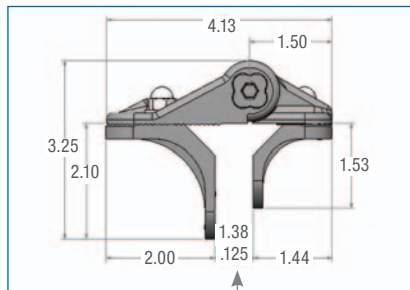
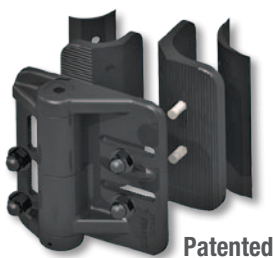
Designed with smaller look for slightly lighter gates

- CH090-SD-BK Black w/stainless steel self-drilling screws included
- CH090-SD-WH White w/stainless steel self-drilling screws included
- CH090-ZD-BK Black w/zinc plated steel self-drilling screws included
- CH090-ZD-WH White w/zinc plated steel self-drilling screws included
- CH090-NS-BK Black no screws included
- CH090-NS-WH White no screws included

- ▶ Slotted for vertical adjustability
- ▶ Designed for 60lb gates
- ▶ 1/4" Allen wrench **included** for tension adjustment
- ▶ 20 pair per case @18lbs

Point-Load Tested to 900 lbs per pair!

CornerStone® Round Post Fully Adjustable Hinge for Chain Link Gates



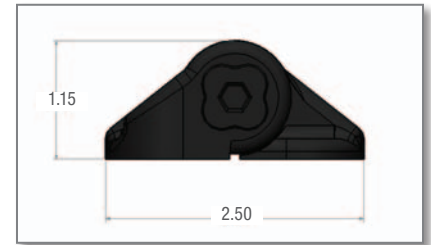
CH200FR-BK Black Double dimensions indicate range of adjustability

- ▶ Shims included to fit hinge to different gate and post sizes
- ▶ Horizontally adjustable up to 1 1/4"
- ▶ Vertically adjustable up to 1/2"
- ▶ Fits both right and left hand applications
- ▶ Includes steel self-drilling screws
- ▶ 1/4" Allen wrench **included** for tension adjustment
- ▶ 20 pair per case @ 40lbs

Tubing Size Chart

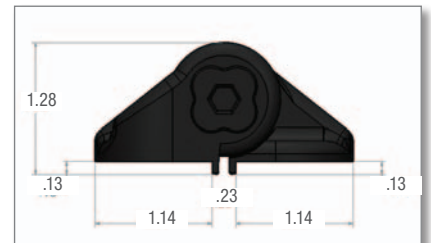
Gate Frame Sizes	Fence Post Sizes
1 3/8"	1 7/8" / 2"
1 5/8"	2 3/8"
	2 5/8"
	2 7/8"

CornerStone® Vertically Adjustable Hinge



CH101V-SD-BK Black w/stainless steel self-drilling screws included
 CH101V-SD-WH White w/stainless steel self-drilling screws included
 (White is Special Order)

- ▶ Slotted for vertical adjustability
- ▶ 1/4" Allen wrench **included** for tension adjustment
- ▶ 20 pair per case @19lbs



CH102V-SD-BK Black w/stainless steel self-drilling screws included
 CH102V-SD-WH White w/stainless steel self-drilling screws included
 (White is Special Order)

- ▶ Slotted for vertical adjustability
- ▶ **Includes tabs for alignment**
- ▶ 1/4" Allen wrench **included** for tension adjustment
- ▶ 20 pair per case @19lbs

Strength & Value You Can Build Upon!

CornerStone® Self-Closing Nylon Hinge

The MILLION CYCLE HINGE™ with the patented, easy, push and turn tension adjustment.

Call us today! 813.490.1622
 www.nationwideindustries.com

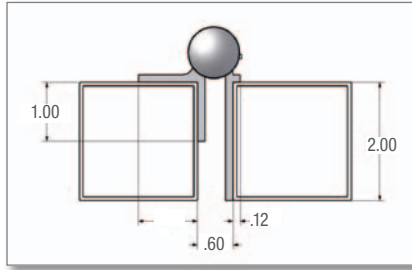
NATIONWIDE INDUSTRIES

CornerStone® The Million Cycle Hinge
 Keystone Advantage Heavy Duty Key-Lockable Latches
 Keystone® X Stainless Steel Key-Lockable Latches
 OrnaMAG™ Magnetic Metal Latches
 Manta™ Magnetic Nylon Latches
 AquaLatch™ Magnetic Pool Safety Latches
 Trident™ Magnetic Pool Safety Latches

As seen in World Fence News

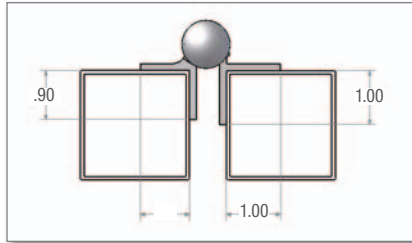
Ornamental Fence Hinges

4" Self-Closing Aluminum Hinge



NW093-26 Black
NW093-36 Bronze
NW093-56 White

- ▶ Post flange: 1/8"(W) x 2"(D)
- ▶ Gate flange: 1"(W) x 1"(D)
- ▶ Tension adjustment wrench and barrel caps included
- ▶ 50 each per case @ 25lbs



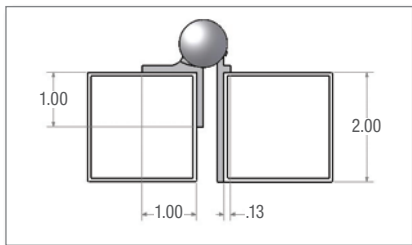
NW093A-26 Black
NW093A-36 Bronze
NW093A-56 White

- ▶ Both flanges: 1"(W) x 1"(D)
- ▶ Tension adjustment wrench and barrel caps included
- ▶ 50 each per case @ 25lbs

NW093A-2S-26 Black
NW093A-2S-36 Bronze
NW093A-2S-56 White

- ▶ Pairs come with self-drilling stainless steel screws and instructions
- ▶ 25 pairs per case

5" Self-Closing Aluminum Hinge



Also includes shim for wall-mount applications

NW093J-26 Black
NW093J-36 Bronze
NW093J-56 White

- ▶ Post flange: 1/8"(W) x 2"(D)
- ▶ Gate flange: 1"(W) x 1"(D)
- ▶ Tension adjustment wrench and barrel caps included
- ▶ 50 each per case @ 32lbs

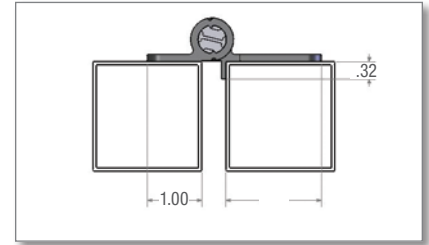
NW093J-2S-26 Black
NW093J-2S-36 Bronze
NW093J-2S-56 White

- ▶ Pairs come with self-drilling stainless steel screws and instructions
- ▶ 25 pairs per case

5 3/4" Self-Closing Aluminum Hinge



Patented



NW094-BK Black
NW094-BZ Bronze
NW094-WH White

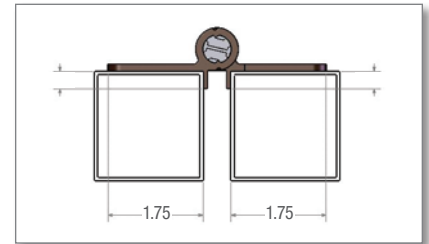
- (White is Special Order)
- ▶ Post flange: 1 3/4"(W) x 5/16"(D)
- ▶ Gate flange: 1"(W)
- ▶ Adjustable spring tension
- ▶ 100 each per case @ 55lbs

NW094-2S-BK Black Pair
NW094-2S-BZ Bronze Pair
NW094-2S-WH White Pair

- (White is Special Order)
- ▶ Pairs come with self-drilling stainless steel screws and instructions
- ▶ 50 pairs per case



Patented



NW094L-BK Black
NW094L-BZ Bronze
NW094L-WH White

- ▶ Both flanges: 1 3/4"(W) x 5/16"(D)
- ▶ Adjustable spring tension
- ▶ 100 each per case @ 61lbs

NW094L-2S-BK Black Pair
NW094L-2S-BZ Bronze Pair
NW094L-2S-WH White Pair

- ▶ Pairs come with self-drilling stainless steel screws and instructions
- ▶ 50 pairs per case

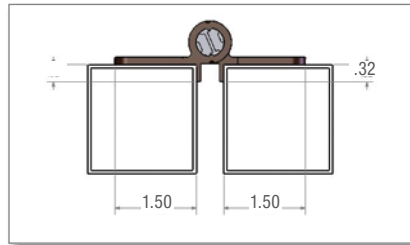


Bronze now comes in 2 shades!
BZ or (-36) is our standard dark bronze
BZ2 is a lighter bronze
 Check for availability or minimum order quantity

5 3/4" Self-Closing Aluminum Hinge



Patented

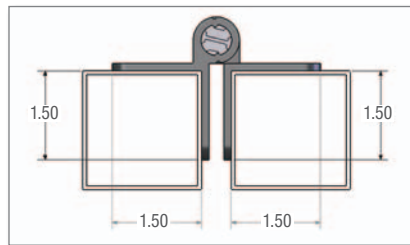


- NW096-BK Black
- NW096-BZ Bronze
- NW096-WH White
- ▶ Both flanges:
1 1/2"(W) x 5/16"(D)
- ▶ Adjustable spring tension
- ▶ 100 each per case @ 55lbs

- NW096-2S-BK Black Pair
- NW096-2S-BZ Bronze Pair
- NW096-2S-WH White Pair
- ▶ Pairs come with self-drilling stainless steel screws and instructions
- ▶ 50 pairs per case



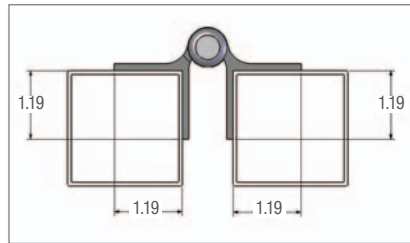
Patented



- NW095-BK Black
- NW095-BZ Bronze
- NW095-WH White
- ▶ Both flanges:
1 1/2"(W) x 1 1/2"(D)
- ▶ Adjustable spring tension
- ▶ 50 each per case @ 42lbs

- NW095-2S-BK Black Pair
- NW095-2S-BZ Bronze Pair
- NW095-2S-WH White Pair
- ▶ Pairs come with self-drilling stainless steel screws and instructions
- ▶ 25 pairs per case

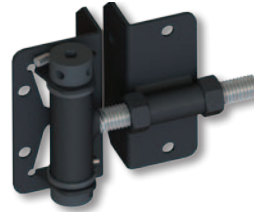
4" Non Self-Closing Aluminum Hinge



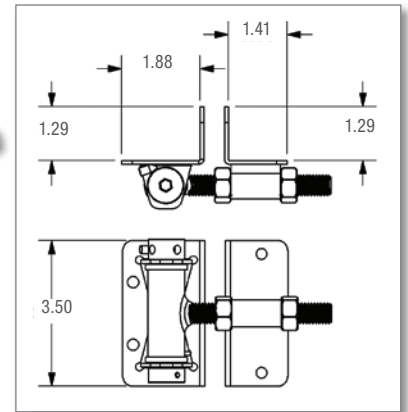
- NW149-26 Black
- ▶ Both flanges:
1 3/16"(W) x 1 3/16"(D)
- ▶ 100 each per case @ 39lbs

- NW149-2S-26 Black Pair
- ▶ Pairs come with self-drilling stainless steel screws and instructions
- ▶ 50 pairs per case

Horizontal Adjustable Self-Closing Stainless Steel Hinge



Strong Closing Power!



- NW171SCP5-SSB Black
- NW171SCP5-SSBD* Black
- NW171SCP5-SSBZD* Bronze
- *D=Self-drilling screws

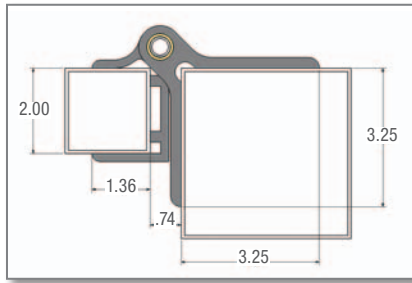
- ▶ Stainless steel, powder coated
- ▶ Easy tension adjustment
- ▶ Larger easy to hold pin
- ▶ Flanges: See above
- ▶ Allen wrench included
- ▶ 12 pairs per case @ 29lbs



Bronze now comes in 2 shades!
BZ or (-36) is our standard dark bronze
BZ2 is a lighter bronze
 Check for availability or minimum order quantity

Ornamental Heavy Duty Gate Hinges

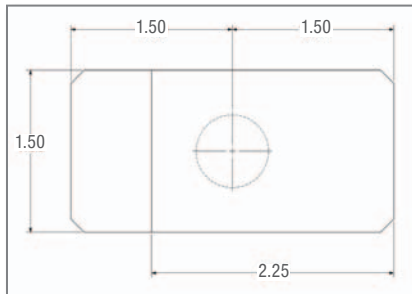
Heavy Duty Non Self-Closing Aluminum Hinge



NW216-26 Black
NW216-36 Bronze
NW216-56 White

- ▶ Post flange: 5"(H) x 3 1/4"(W) x 3 1/4"(D)
- ▶ Gate flange: 2 3/8"(H) x 1 5/16"(W) x 2"(D)
- ▶ Gate flange will accommodate both 2" and 1" gate frame
- ▶ 20 each per case @ 34lbs

Heavy Duty Block Hinge for Aluminum Gate



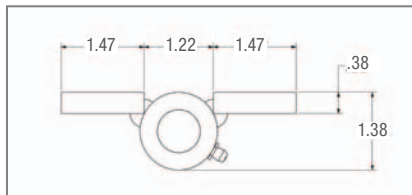
NW6189

- ▶ 18 each per case @ 45lbs
- ▶ Aluminum
- ▶ Beveled corners, designed to be welded
- ▶ Brass bushings and heavy duty stainless steel pin
- ▶ No grease required

Heavy Duty Steel Barrel Hinge



NEW!



NW6215R Black
NW6215L Black

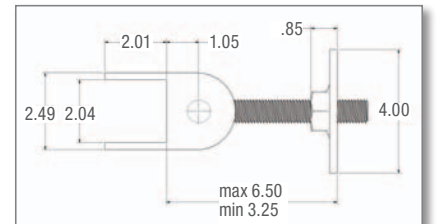
- ▶ Contains grease fitting
- ▶ Steel power coated
- ▶ 6 each per case @ 22lbs

Heavy Duty Estate Gate Hinge

NEW!



NW6218 Mill
NW6218-BK Black

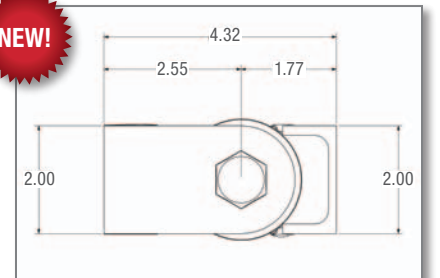


- ▶ Horizontal adjustability
- ▶ Has an aluminum block for welding
- ▶ Acetal bushing
- ▶ Stainless steel hinge pin
- ▶ Zinc plated steel mounting plate.
- ▶ Fits 2" size gate frame.
- ▶ Ships unassembled (weld block to gate, then assemble)
- ▶ 12 each per case @ 40lbs

Large Heavy Duty Ball Bearing Hinge



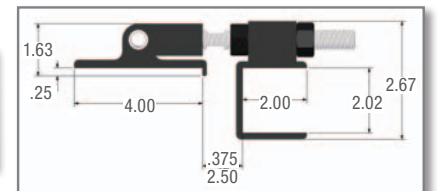
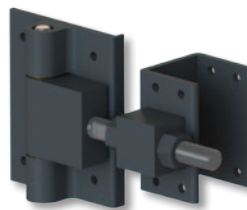
NEW!



NW6229

- ▶ Zinc plated steel
- ▶ Sealed ball bearings
- ▶ No grease required
- ▶ 4" tall
- ▶ 6 each per case @ 62lbs

Heavy Duty Estate Gate Hinge with Adjustability



NW6242-B-BK Black Bolt-on (bolts not included)
NW6242-W-BK Black Weld-on (Special Order)

- ▶ Fits 2" gate frames and posts 4" or larger
- ▶ Aluminum and stainless steel construction
- ▶ Great strength, and **horizontal adjustability**
- ▶ 8 each per case @ 28lbs

NEW!

Keystone Advantage® Series Patented

Heavy Duty Design with Weather Resistant
Glass-Filled Nylon Construction

Latch Side

Re-keyable cylinder

Stainless steel striker
bar with anti-pull
through enlarged tip

Bottom thumb latch
protected from
rain and dirt

All Keystone® Latches are
available in Nylon or Metal
and in Black or White



Ltd
LIFETIME
Warranty!

Button Side



Two-Sided Lockable Latch

KLADV-P2-BK Black (Nylon)

KLADV-P2-WH White (Nylon)

KLADV-P2ZD-BK Black (Zinc Plated Steel Screws)

KLADV-P2ZD-WH White (Zinc Plated Steel Screws)

- ▶ Locking feature accessible from both sides
- ▶ Reversible for right-hand or left-hand use
- ▶ Glass-filled nylon housing
- ▶ Thumb release button on one side, gravity latch lever on opposite side
- ▶ Stainless steel screws included
- ▶ 20 each per case @ 23lbs

All Keystone® Advantage
2-Sided Latches are
packed with a durable
Plastic Marking Template
for installation.



KLADV-M2-BK Black (Zinc diecast)

KLADV-M2-WH White (Zinc diecast)

KLADV-M2ZD-BK Black (Zinc Plated Steel Screws)

KLADV-M2ZD-WH White (Zinc Plated Steel Screws)

- ▶ Same as KLADV-P2 but with zinc die cast housing
- ▶ 20 each per case @ 48lbs

Heavy Duty Striker Design
on every Keystone® Latch



One-Sided Lockable Latch

KLADV-P1-BK Black (Nylon)

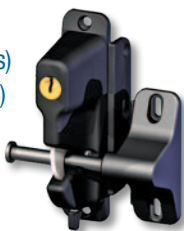
KLADV-P1-WH White (Nylon)

KLADV-P1ZD-WH White (Zinc Plated Steel Screws)

KLADV-P1ZD-BK White (Zinc Plated Steel Screws)

- ▶ Same as KLADV-P2 above but with locking (gravity latch lever) on one side
- ▶ 20 each per case @ 17lbs

One-Sided Lockable Latch



KLADV-M1-BK Black (Zinc diecast)

KLADV-M1-WH White (Zinc diecast)

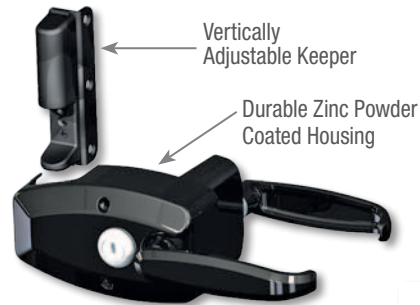
KLADV-M1ZD-BK Black (Zinc Plated Steel Screws)

KLADV-M1ZD-WH White (Zinc Plated Steel Screws)

- ▶ 20 each per case @ 31lbs

OrnaMAG™ Magnetic Gate Latch Patented

An Elegant Look That Will Compliment All Styles!



Powerful
MAGNETIC
Locking
Feature!

Back Plates Included
to Accommodate Gate
Gap Variance

Back Plate Gap Range:

- ▶ Standard Back Plate 5/16" to 13/16"
- ▶ Offset Back Plate 13/16" to 1-7/16"

OM-L-BK Black

OM-L-BZ Bronze

OM-L-WH White

- ▶ Accommodates up to 2" gate post profile
- ▶ Key locking
- ▶ Reversible for right-hand or left-hand use
- ▶ Self-drilling stainless steel screws and self-drilling steel screws included
- ▶ Great for double drive gates
- ▶ 10 each per case @ 27lbs

OM-BK Black

OM-BZ Bronze

OM-WH White

- ▶ Same as OM-Ls above but **without** key lock
- ▶ 10 each per case @ 27lbs

Very Easy
to Install!



MANTA™ MAGNETIC Latch Patented

- ▶ Self-latching and key-lockable
- ▶ Glass-filled nylon material for low maintenance, strength and durability



- ▶ Locks & unlocks from either side
- ▶ Reversible for left or right hand use without changing components

Ordering Information:

Number	Qty/Case	Weight
MANTA-L-BK	12	21 lbs
MANTA-L-WH	12	21 lbs

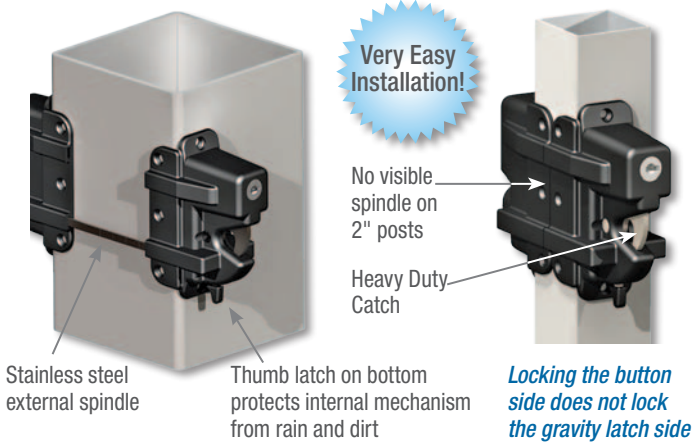
Ornamental Fence Latches

Ltd
LIFETIME
Warranty!

All Lockable Latches can be Keypad Alike
When Ordering: Add KA to the end of the Part Number

The Keystone® X-eXternal Mount Latch

Best Stainless Steel External Spindle Design in the Industry Patented



No need to drill spindle holes!

- KLX-P2-BK Black (Nylon)
- KLX-P2-WH White (Nylon)
- KLX-P2ZD-BK Black (Zinc plated steel screws)
- KLX-P2ZD-WH White (Zinc plated steel screws)

- ▶ Marked in 1/2" increments for quick, easy and accurate fitting to post sizes 2" - 5"
- ▶ Flat design safely encloses spindle ends
- ▶ 20 each per case @ 22lbs



- KLX-P1-BK Black (Nylon)
- KLX-P1-WH White (Nylon)
- KLX-P1ZD-BK Black (Zinc plated steel screws)
- KLX-P1ZD-WH White (Zinc plated steel screws)

- ▶ Features Latch only
- ▶ 20 each per case @ 15lbs



Solid Brass Handle Latch

- NW-GL01-BRL Black (housing)
- ▶ Accommodates up to 2" gate frame profile
- ▶ Pad-lockable keeper
- ▶ Reversible for right-hand or left-hand use
- ▶ Stainless steel screws included
- ▶ 25 each per case @ 55lbs



Stainless Steel Gravity Latch

- NW38204SSB Black
- NW38204SSW White
- NW38204SSM Mill
- NW38204-SS-BZ Bronze
- ▶ Pad-lockable on one side
- ▶ Stainless steel screws included
- ▶ 50 each per case @ 28lbs



Magnetic Safety Latches

The Protector®

- NW276NE-26 Black
- NW276NE-56 White

Key cylinder at 45° for easy access and protection from water and debris
Latch height is 19.5"



19.5" latch height meets pool access requirements when properly installed

- ▶ Horizontal and vertical adjustment up to 2"
- ▶ Reversible for right-hand or left-hand use
- ▶ Easy-grip release knob
- ▶ Key cylinder is at a 45° angle for easy access
- ▶ Extruded aluminum body with glass-filled nylon components
- ▶ Packaged in heavy-duty poly bag with stainless steel screws
- ▶ 20 each per case @ 30lbs

The Protector® Jr.

Magnetic Pool Safety Latch

- NW308-26 Black
- NW308-56 White

Latch height is 10"

- ▶ Same as NW276NE but used for applications with taller fence profiles
- ▶ Total latch height is 10"
- ▶ 20 each per case @ 23lbs



Pool Gate Kit for Aluminum Gates

Includes 1 Protector® Magnetic Pool Safety Latch NW276NE-26 (above) and 1 Pair of CH100N-SD-BK Hinges (page 1)

- NW6153-BK Black
- ▶ 1 kit per case @ 3lbs



Round Post Adapter for Chain Link

NW6149-BK

- ▶ Shims included in adapter kit to fit different chain link gate and post sizes. See Tubing Size Chart on below.
- ▶ 20 each per case @ 9lbs

Tubing Size Chart

Gate Frame Sizes	Fence Post Sizes
1 3/8"	1 7/8" / 2"
1 5/8"	2 3/8"
	2 5/8"
	2 7/8"



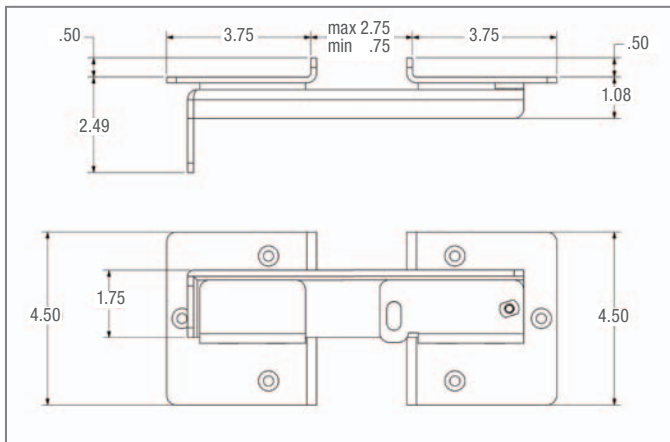
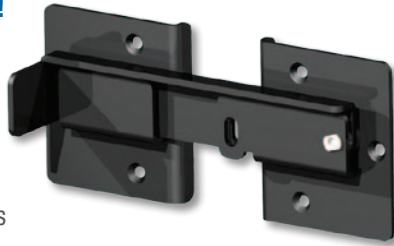
Ornamental Fence Latches

Flip Latch

Great for Dumpster Use!

NW6169 Black

- ▶ Commercial grade
- ▶ Pad-lockable
- ▶ Zinc plate steel with black powder coated finish
- ▶ Stainless steel through-bolts
- ▶ 10 per case @37lbs



Fulcrum Latch

2 1/2" Post Size

NW7060

NW7060-BK

6 each per case @ 22lbs

3" Post Size

NW7061

NW7061-BK

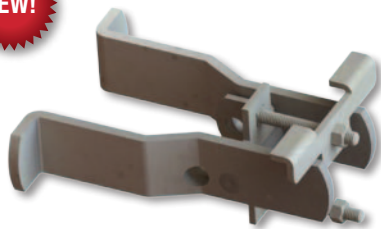
6 each per case @ 24lbs

4" Post Size

NW7062

NW7062-BK

6 each per case @ 24lbs

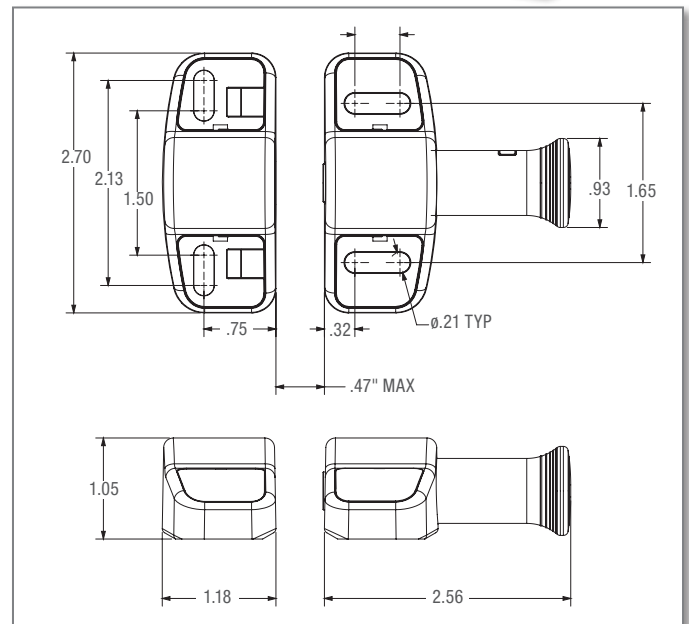


- ▶ Heavy Duty Latch for Large Single Swing Gates
- ▶ Fits 2" Gate Frames

Magnetic Side Pull SPL 100 Latch

SPL100-SD-BK

- ▶ Designed for small gates
- ▶ Stainless steel screws included
- ▶ Screws hidden by cover plates
- ▶ 20 each per case @ 8lbs

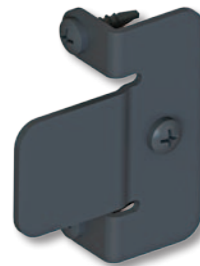


Side Pull Latches Require a Gate Bumper

Stainless Steel Gate Bumper

NW6237-BK

- ▶ Slim line design
- ▶ 2-Sided attachment
- ▶ Use with our Side Pull Latch SPL 100
- ▶ Designed for smaller, lighter gates
- ▶ Stainless steel screws included
- ▶ 50 each per case @7lbs



Safety Pool Gate Latches

All Lockable Latches can be Keyed Alike
When Ordering: Add KA to the end of the Part Number

AQUALATCH®

The MAGNETIC Gate Safety Lock with **SAFE-ALERT®**

**MILLION
CYCLE
Warranty!**

20" Height

10" Height

SAFE-ALERT®

The AquaLatch is the only pool latch with Safe-Alert! A visible red alert area under the release knob appears any time the latch is not engaged.

Heavy Duty Screw Thread for easy adjustment

2" Vertical Adjustment
1-1/2" Horizontal Adjustment

Leveling Keeper
Multi-directional leveling capabilities for gates installed out of plumb

Thru-Hole in Keeper
New pass-through design eliminates water retention in keeper

Handle Option*
Ideal for taller gates

AQUALATCH®...magnetic closing power, easy installation and guaranteed to last!

- ▶ Heavy duty construction
- ▶ Beautiful, modern design
- ▶ Multi-directional leveling for misaligned gates
- ▶ Excellent horizontal and vertical adjustability
- ▶ Fits right or left handed gates
- ▶ Industry-BEST Warranty

*Please check local pool codes prior to use.

Ordering Information:

Number	Color	Description	Height	Qty/Case	Wgt
AQUA10-BK	Black	AquaLatch w/Std Keeper	10"	20	33lbs
AQUA10-WH	White	AquaLatch w/Std Keeper	10"	20	33lbs
AQUA10H-BK	Black	AquaLatch w/Handle/Keeper	10"	20	33lbs
AQUA10H-WH	White	AquaLatch w/Handle/Keeper	10"	20	33lbs
AQUA20-BK	Black	AquaLatch w/Std Keeper	20"	20	36lbs
AQUA20-WH	White	AquaLatch w/Std Keeper	20"	20	36lbs
AQUA20H-BK	Black	AquaLatch w/Handle/Keeper	20"	20	36lbs
AQUA20H-WH	White	AquaLatch w/Handle/Keeper	20"	20	36lbs

Adapter available for use with round posts.

TRIDENT™

MAGNETIC GATE LATCH
by NATIONWIDE INDUSTRIES

Patent Pending

Enhanced Knob Design

Angled Key Hole
Allows easy access

Mounting Brackets
Easy Installation

20" TRIDENT

The **TRIDENT SAFETY GATE LATCH** has a significant amount of play or vertical tolerance. This helps to avoid problems with sagging gates, and allows for simple installation.



10" TRIDENT

The **SAFE-NOTCH™** feature engages if someone steps or climbs on the gate, further ensuring your gate will stay closed.

With the **LATCH WHEN LOCKED™** feature, the latch will engage even if cylinder is previously locked on the opened gate.

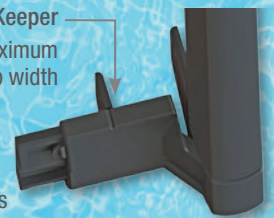
Trident...strong magnetic closing power, easy installation and guaranteed to last!

- ▶ Sophisticated, modern design
- ▶ Rust-resistant components
- ▶ Meets international pool codes*

*Please check local pool codes prior to use.

Marking on the Keeper
Easy to see the maximum amount of gap width

Easy to use markings show proper gate alignment



Ordering Information:

Number	Color	Qty/Case	Weight
TRIDENT20-BK	Black	20	29lbs
TRIDENT20-WH	White	20	29lbs
TRIDENT10-BK	Black	20	20lbs
TRIDENT10-WH	White	20	20lbs

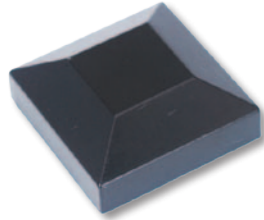
**NATIONWIDE
INDUSTRIES**

Ornamental Fence Post Caps

Modern Post Cap – Press Fit

Custom Logos Available (requires minimum run quantity)

- NW230NL-SBL Mill
- NW230NL-26 Black
- NW230NL-36 Bronze
- NW230NL-BZ2 Lt. Bronze
- NW230NL-56 White
- ▶ 2" Aluminum die cast
- ▶ 250 each per case @ 22lbs



- NW240NL-SBL Mill
- NW240NL-26 Black
- NW240NL-36 Bronze
- NW240NL-56 White
- ▶ 2.5" Aluminum die cast
- ▶ 300 each per case @ 41lbs

- NW291-SBL Mill
- ▶ 1.5" Aluminum die cast
- ▶ 500 each per case @ 27lbs
- ▶ Colors available with special order

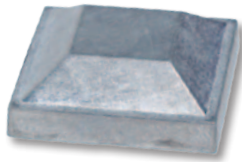
Traditional Post Cap – Press Fit

Zinc

- NW220-MI Mill
- ▶ 2" Zinc die cast
- ▶ 250 each per case @ 39lbs
- NW244-MI Mill
- ▶ 2.5" Zinc die cast
- ▶ 120 each per case @ 25lbs

Aluminum

- NW6099-MI Mill
- NW6099-BK Black
- NW6099-BZ Bronze (Special Order)
- NW6099-WH White
- ▶ 2" Aluminum die cast
- ▶ 250 each per case @ 22lbs
- NW6098-SBL Mill
- NW6098-BK Black
- NW6098-BZ Bronze
- NW6098-WH White (Special Order)
- ▶ 3" Aluminum die cast
- ▶ 100 each per case @ 23lbs
- NW6196-SBL Mill
- NW6196-BK Black
- NW6196-BZ Bronze
- NW6196-WH White (All Special Order)
- ▶ 2.5" Aluminum die cast
- ▶ 250 each per case @ 23lbs
- NW6084-MI Mill
- NW6084-BK Black
- ▶ 4" Aluminum die cast
- ▶ 100 each per case @ 35lbs



STEEL Post Caps

- NW6208-BK Black (Special Order)
- ▶ 1" Steel die cast
- ▶ 250 each per case @ 36lbs
- NW6209-BK Black (Special Order)
- ▶ 1.5" Steel die cast
- ▶ 250 each per case @ 36lbs



STEEL Post Caps Continued



- NW6210-BK Black (Special Order)
- ▶ 2" Steel die cast
- ▶ 250 each per case @ 36lbs

- NW6211-BK Black (Special Order)
- ▶ 2.5" Steel die cast
- ▶ 100 each per case @ 22lbs



- NW6212-BK Black (Special Order)
- ▶ 3" Steel die cast
- ▶ 100 each per case @ 29lbs

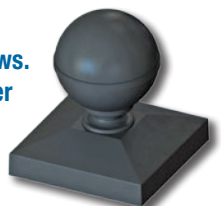
- NW6213-BK Black (Special Order)
- ▶ 4" Steel die cast
- ▶ 50 each per case @ 26lbs

Ball Caps – Press Fit Custom Logos Available (requires minimum run quantity)



The Ball Caps below are also available with hole for set screws. When Ordering: add an "H" after the number in the part number.

Examples: NW6166H-MI Mill
NW6191H-SBL Mill



- NW6166-MI Mill
- NW6166-BK Black
- NW6166-BZ Bronze
- NW6166-WH White
- ▶ 2" Aluminum die cast - ball cap
- ▶ 50 each per case @ 15lbs

- NW6179-SBL Mill
- NW6179-BK Black
- NW6179-BZ Bronze
- NW6179-WH White (Special Order)
- ▶ 2.5" Aluminum die cast - ball cap
- ▶ 50 each per case @ 18lbs

- NW6191-SBL Mill
- NW6191-BK Black
- NW6191-BZ Bronze (Special Order)
- NW6191-WH White (Special Order)
- ▶ 3" Aluminum die cast - ball cap
- ▶ 50 each per case @ 20lbs

- NW6193-MI Mill
- NW6193-BK Black
- NW6193-BZ Bronze (Special Order)
- NW6193-WH White (Special Order)
- ▶ 4" Aluminum die cast - ball cap
- ▶ 50 each per case @ 42lbs



- NW242-SBL Mill
- ▶ 2" Aluminum die cast - Screw Set
- ▶ 72 each per case @ 41lbs

- NW242A-MI Mill
- ▶ 2" Aluminum die cast - Press Fit
- ▶ 72 per case @ 41lbs

- NW242B-SBL Mill (Special Order)
- NW242B-BK Black
- ▶ Fits a True 2" post
- ▶ Aluminum die cast - Press Fit
- ▶ 72 per case @ 41lbs



- NW290A-SBL Mill
- ▶ 2.5" Aluminum die cast - Press Fit
- ▶ 80 each per case @ 43lbs

- NW6097-SBL Mill
- ▶ 3" Aluminum die cast - Press Fit
- ▶ 50 each per case @ 34lbs

Ornamental Fence Finials

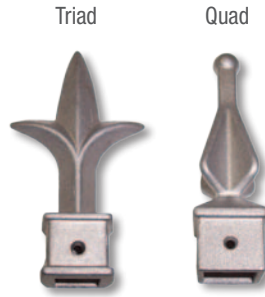
SLIM LINE



NW233PF, NW234PF
NW235PF, NW236PF



NW212, NW213,
NW245, NW246, NW249
NW250, NW251, NW252



NW233, NW234
NW235, NW236



NW6200, NW6201, NW6202
NW6203, NW6204, NW6205
NW6206, NW6207



NW6231, NW6232



NW6253

Mill Finish On All Finials

Some Finials May Be Special Order. Please Contact Customer Service for Availability.

When ordering Color, Substitute the MI or SBL in the Item No.

with BK (Black), BZ (Bronze), BZ2 (Bronze), or WH (White).

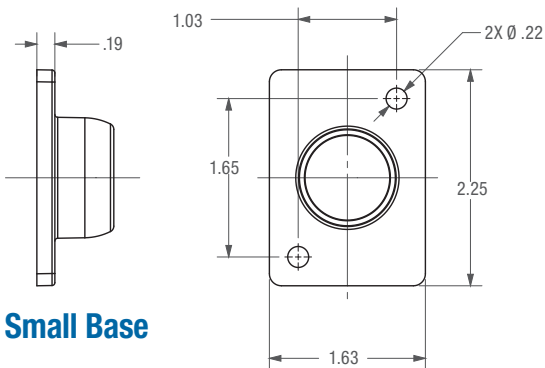
ITEM NO	STYLE	WITH HOLE	PRESS FIT or SLIP-ON	MATERIAL	OPTIMUM PICKET O.D.	QTY/CASE	WEIGHT /CASE
5/8"							
NW233-MI	Triad	Y	SO	Aluminum	0.635	250	42
NW233PF-SBL	Triad	N	PF	Aluminum	0.600	250	42
NW233PFH-SBL	Triad	Y	PF	Aluminum	0.600	250	42
NW235-SBL	Quad	Y	SO	Aluminum	0.635	300	45
NW235PF-SBL	Quad	N	PF	Aluminum	0.600	300	45
NW235PFH-SBL	Quad	Y	PF	Aluminum	0.600	300	45
NW6202-SBL	Quad	N	SO	Aluminum	0.600	300	23
NW6202H-SBL	Quad	Y	SO	Aluminum	0.600	300	23
NW6202HA-SBL	Quad	Y	SO	Aluminum	0.625	300	23
NW6202PFTS-SBL	Quad	N	PF	Aluminum	0.600	300	23
NW6206-SBL	Triad	N	SO	Aluminum	0.600	300	23
NW6206H-SBL	Triad	Y	SO	Aluminum	0.600	300	23
NW6206PFTS-SBL	Triad	N	PF	Aluminum	0.600	300	23
NW212-MI	Quad	N	SO	Zinc	0.600	250	42
NW213-MI	Triad	N	SO	Zinc	0.600	250	42
NW6231-SBL	Finial	N	SO	Aluminum	0.600	300	27
NW6231H-SBL	Finial	Y	SO	Aluminum	0.600	300	27
NW6231PFTS-SBL	Finial	N	PF	Aluminum	0.600	300	27
NW6253-SBL	Finial	N	PF	Aluminum	0.600	300	41
3/4"							
NW234-MI	Triad	Y	SO	Aluminum	0.750	300	51
NW234PF-SBL	Triad	N	PF	Aluminum	0.720	300	51
NW234PFH-SBL	Triad	Y	PF	Aluminum	0.720	300	51
NW234PF75-SBL	Triad	N	PF	Aluminum	0.750	300	51
NW234PFH75-SBL	Triad	Y	PF	Aluminum	0.750	300	51

Ornamental Fence Finials

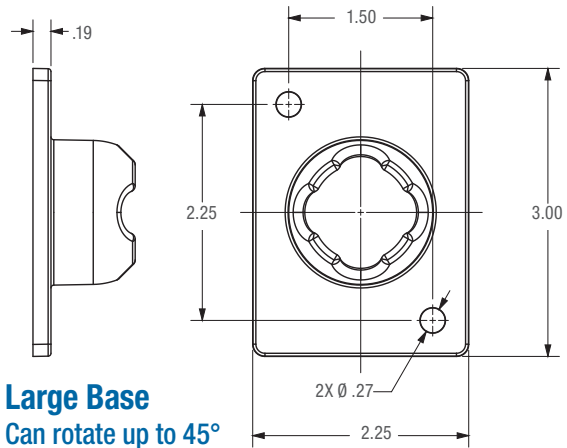
ITEM NO	STYLE	HOLE	PRESS FIT or SLIP-ON	MATERIAL	OPTIMUM PICKET O.D.	QTY/CASE	WEIGHT / CASET
3/4" Continued							
NW236-SBL	Quad	Y	SO	Aluminum	0.750	300	51
NW236PF-SBL	Quad	N	PF	Aluminum	0.720	300	51
NW236PFH-SBL	Quad	Y	PF	Aluminum	0.720	300	51
NW236PF75-SBL	Quad	N	PF	Aluminum	0.750	300	51
NW236PFH75-SBL	Quad	Y	PF	Aluminum	0.750	300	51
NW6201-SBL	Quad	N	SO	Aluminum	0.720	300	26
NW6201H-SBL	Quad	Y	SO	Aluminum	0.720	300	26
NW6201PFTS-SBL	Quad	N	PF	Aluminum	0.750	300	26
NW6205-SBL	Triad	N	SO	Aluminum	0.720	300	28
NW6205H-SBL	Triad	Y	SO	Aluminum	0.720	300	28
NW6205PFTS-SBL	Triad	N	PF	Aluminum	0.750	300	28
NW249-MI	Quad	N	SO	Zinc	0.750	250	49
NW249IT-MI	Quad	N	PF	Zinc	0.750	250	49
NW250IT-MI	Triad	N	PF	Zinc	0.750	250	46
NW250-MI	Triad	N	SO	Zinc	0.750	250	46
NW6232-SBL	Finial	N	SO	Aluminum	0.750	300	26
NW6232H-SBL	Finial	Y	SO	Aluminum	0.750	300	26
NW6232PFTS-SBL	Finial	N	PF	Aluminum	0.750	300	26
1"							
NW6200-SBL	Quad	N	SO	Aluminum	1.000	300	31
NW6200H-SBL	Quad	Y	SO	Aluminum	1.000	300	31
NW6204-SBL	Triad	N	SO	Aluminum	1.000	300	29
NW6204H-SBL	Triad	Y	SO	Aluminum	1.000	300	29
NW245-MI	Quad	N	SO	Zinc	1.000	200	41
NW245IT-MI	Quad	N	PF	Zinc	1.000	200	41
NW246-MI	Triad	N	SO	Zinc	1.000	200	41
NW246IT-MI	Triad	N	PF	Zinc	1.000	200	41
5/8" X 1"							
NW6203-SBL	Quad	N	SO	Aluminum	.600 X 1.00	300	29
NW6203H-SBL	Quad	Y	SO	Aluminum	.600 X 1.00	300	29
NW6203PFTS-SBL	Quad	N	PF	Aluminum	.600 X 1.00	300	29
NW6207-SBL	Triad	N	SO	Aluminum	.600 X 1.00	300	26
NW6207H-SBL	Triad	Y	SO	Aluminum	.600 X 1.00	300	26
NW6207PFTS-SBL	Triad	N	PF	Aluminum	.625 X 1.00	300	26
NW251-MI	Quad	N	SO	Zinc	.600 X 1.00	200	38
NW252-MI	Triad	N	SO	Zinc	.600 X 1.00	250	38

Ornamental Wall Mount Brackets

Swivel Ball Bracket Bases



Small Base



Large Base
Can rotate up to 45°

1" X 1"

Square Dual Flange Wall Mount Bracket

- NW280-SBL Mill
- NW280-BK Black
- NW280-BZ Bronze (Special Order)
- NW280-WH White (Special Order)

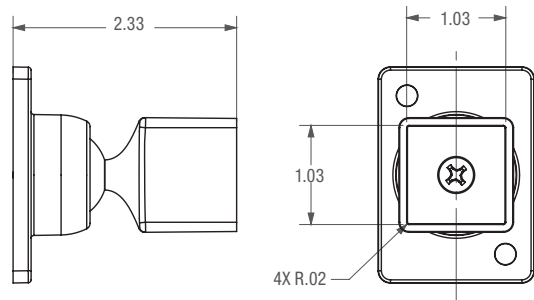
- ▶ 1" x 1"
- ▶ Aluminum die cast
- ▶ 500 per case @ 44lbs



Swivel Ball Bracket

- NW6192-SBL Mill
- NW6192-BK Black
- NW6192-BZ Bronze (Special Order)
- NW6192-WH White (Special Order)

- ▶ 1" x 1" **Small Base**
- ▶ Aluminum die cast
- ▶ 100 each per case @ 18lbs



1" X 1 1/8"

Single Flange Wall Mount Bracket

- NW211-MI Mill

- ▶ 1" x 1 1/8"
- ▶ **Rounded Top Corners**
- ▶ Aluminum die cast
- ▶ 300 each per case @ 38lbs



- NW211-MI-2

- NW211-BK-2

- ▶ 1" x 1 1/8"
- ▶ **Squared in all Corners**
- ▶ Aluminum die cast
- ▶ 300 each per case @ 38lbs

NOTE!

Bronze now comes in 2 shades!
BZ or (-36) is our standard dark bronze
BZ2 is a lighter bronze
Check for availability or minimum order quantity

Note: Any brackets used in railing applications should be tested within the railing system to any applicable codes.

All Painted Swivel Ball & Adjustable Brackets are Assembled

Ornamental Wall Mount Brackets

1" X 1 1/2"

Single Flange Wall Mount Bracket

- NW217-SBL Mill
- NW217-26 Black (Special Order)
- NW217-36 Bronze (Special Order)
- NW217-56 White (Special Order)

- ▶ 1" x 1 1/2"
- ▶ Aluminum die cast
- ▶ 240 each per case @ 44lbs



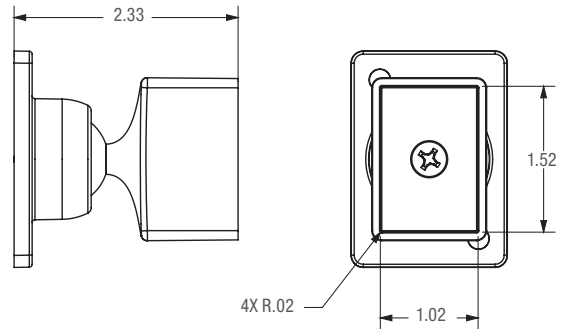
Swivel Ball Bracket

- NW6239-SBL Mill
- NW6239-BK Black (Special Order)
- NW6239-BZ Bronze (Special Order)
- NW6239-WH White (Special Order)

- ▶ 1" x 1 1/2" **Small Base**
- ▶ Aluminum die cast
- ▶ 100 per case @ 21lbs
- All Special Order



Turn and angle in any direction



Rectangular Single Flange Wall Mount Bracket

- NW6167-MI Mill

- ▶ 1" x 1 1/2"
- ▶ Aluminum die cast
- ▶ 500 per case @ 38lbs



1 1/8" X 1 1/8"

Adjustable Dual Flange Wall Mount Bracket

- NW6075V-BK Black
- NW6075V-BZ Bronze
- NW6075V-WH White
- NW6075V-SBL Mill (Special Order)

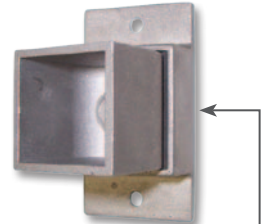
- ▶ 1 1/8" x 1 1/8"
- ▶ Aluminum die cast
- ▶ Adjustable for angle or rake rails
- ▶ 100 each per case @ 29lbs



Adjustable Dual Flange Wall Mount Bracket

- NW6075-SBL Mill
- NW6075-BK Black
- NW6075-BZ Bronze
- NW6075-WH White

- ▶ 1 1/8" x 1 1/8"
- ▶ Aluminum die cast
- ▶ Adjustable for angle or rake rails
- ▶ 100 each per case @ 20lbs



Cup swivels in bracket to desired angle

1 1/4" X 1 1/4"

Single Flange Wall Mount Bracket

- NW211A-MI Mill

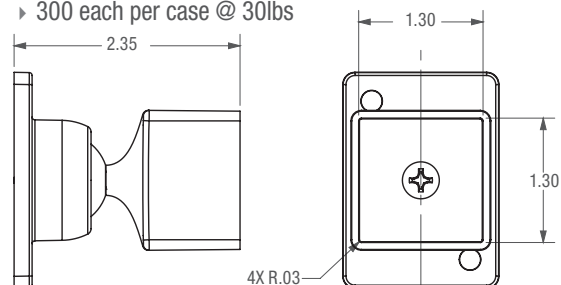
- ▶ 1 1/4" x 1 1/4"
- ▶ Aluminum die cast
- ▶ 300 each per case @ 30lbs



Swivel Ball Bracket

- NW6220-SBL Mill
- NW6220-BK Black
- NW6220-BZ Bronze (Special Order)
- NW6220-WH White (Special Order)

- ▶ 1 1/4" x 1 1/4" **Small Base**
- ▶ Aluminum die cast
- ▶ 300 each per case @ 30lbs



All Painted Swivel Ball & Adjustable Brackets are Assembled

Ornamental Wall Mount Brackets

1 1/4" X 1 1/2"

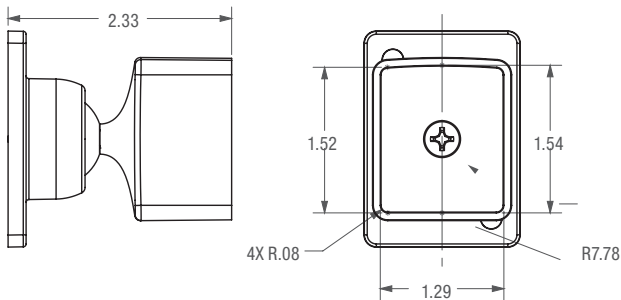
Swivel Ball Bracket

- NW6216-SBL Mill
- NW6216-BK Black
- NW6216-BZ Bronze
- NW6216-WH White

- ▶ 1 1/4" x 1 1/2" **Small Base**
- ▶ Aluminum die cast
- ▶ 100 each per case @ 21lbs
- All Special Order**



Turn and angle in any direction



1 3/8" X 1 3/8"

Adjustable Dual Flange Wall Mount Bracket

- NW6075A-SBL Mill
- NW6075A-BK Black (Special Order)
- NW6075A-BZ Bronze (Special Order)
- NW6075A-WH White (Special Order)

- ▶ 1 3/8" x 1 3/8"
- ▶ Aluminum die cast
- ▶ Adjustable for angle or rake rails
- ▶ 100 each per case @ 29lbs



1 1/2" X 1 1/2"

Single Flange Wall Mount Bracket

- NW292-SBL Mill
- ▶ 1 1/2" x 1 1/2"
- ▶ Aluminum die cast
- ▶ 100 each per case @ 30lbs

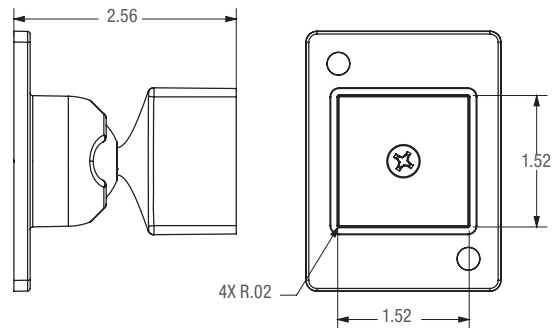


Bronze now comes in 2 shades!
BZ or (-36) is our standard dark bronze
BZ2 is a lighter bronze
 Check for availability or minimum order quantity

Swivel Ball Bracket

- NW6240-SBL Mill
- NW6240-BK Black (Special Order)
- NW6240-BZ Bronze (Special Order)
- NW6240-WH White (Special Order)

- ▶ 1 1/2" x 1 1/2" **large base**
- ▶ Aluminum die cast
- ▶ 100 each per case @35lbs



Note: Any brackets used in railing applications should be tested within the railing system to any applicable codes.

All Painted Swivel Ball & Adjustable Brackets are Assembled

Ornamental Wall Mount Brackets

1 5/8" X 1 5/8"

Square Dual Flange Wall Mount Bracket

NW243-SBL Mill

- ▶ 1 5/8" x 1 5/8"
- ▶ Aluminum die cast
- ▶ 240 each per case @ 47lbs



Adjustable Dual Flange Wall Mount Bracket

NW279-SBL Mill Cup

NW279BP-SBL Mill Base Plate

- ▶ 1 5/8" x 1 5/8"
- ▶ Aluminum die cast
- ▶ Adjustable for angle or rake rails
- ▶ 100 each per case @ 29lbs



The 1 5/8" X 1 5/8" Wall Mount Bracket needs both the Cup and Base Plate and must be ordered together!

Swivel Ball Bracket

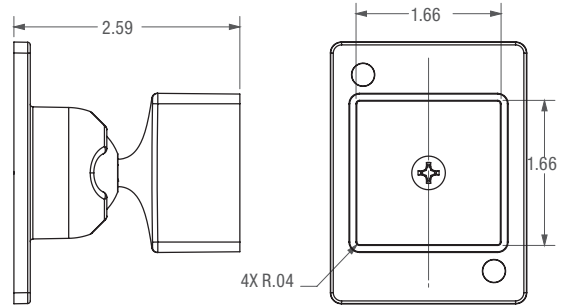
NW6217-SBL Mill (Special Order)

NW6217-BK Black (Special Order)

NW6217-BZ Bronze (Special Order)

NW6217-WH White (Special Order)

- ▶ 1 5/8" x 1 5/8" **large base**
- ▶ Aluminum die cast
- ▶ 100 each per case @ 22lbs



1 3/4" X 1 3/4"

Straight Wall Mount Bracket

NW6247-SBL Mill

NW6247-BK Black (Special Order)

NW6247-BZ Bronze (Special Order)

NW6247-WH White (Special Order)

- ▶ 1 3/4" x 1 3/4"
- ▶ Aluminum die cast
- ▶ 150 each per case @ 34lbs



Swivel Ball Bracket

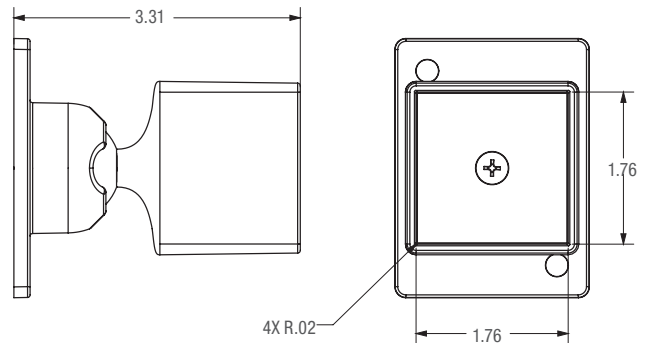
NW6235-SBL Mill

NW6235-BK Black (Special Order)

NW6235-BZ Bronze (Special Order)

NW6235-WH White (Special Order)

- ▶ 1 3/4" x 1 3/4" **large base**
- ▶ Aluminum die cast
- ▶ 100 each per case @43lbs



All Painted Swivel Ball & Adjustable Brackets are Assembled

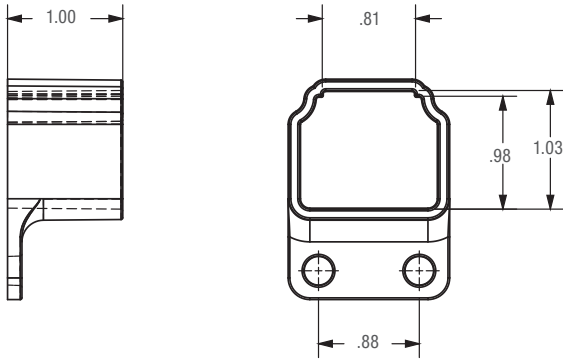
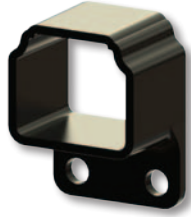
Ornamental Wall Mount Brackets

Deco Rail Brackets

Residential Straight Wall Bracket

- NW6226-SBL Mill
- NW6226-BK Black
- NW6226-BZ Bronze (Special Order)
- NW6226-WH White (Special Order)

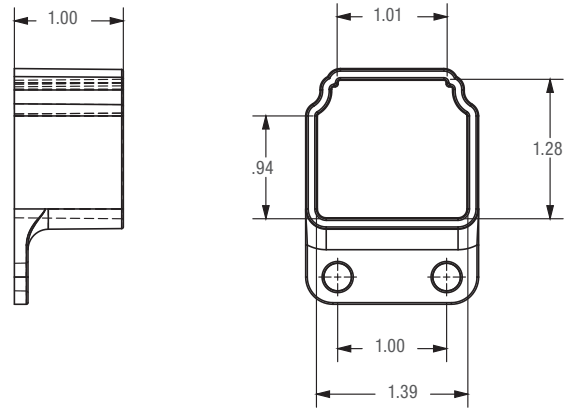
- ▶ Aluminum die cast
- ▶ 350 each per case @ 19lbs



Commercial Straight Wall Bracket

- NW6227-SBL Mill
- NW6227-BK Black
- NW6227-BZ Bronze (Special Order)
- NW6227-WH White (Special Order)

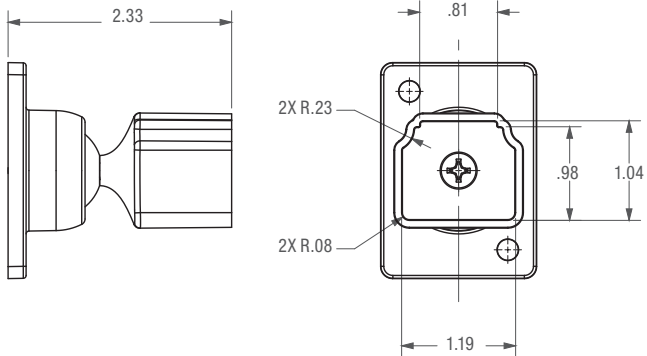
- ▶ Aluminum die cast
- ▶ 350 each per case @ 23lbs



Residential Swivel Ball Bracket

- NW6195-SBL Mill
- NW6195-BK Black
- NW6195-BZ Bronze (Special Order)
- NW6195-WH White (Special Order)

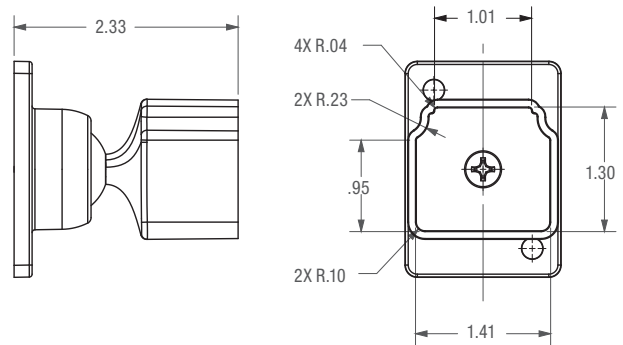
- ▶ **Small Base**
- ▶ Aluminum die cast
- ▶ 100 each per case @ 19lbs



Commercial Swivel Ball Bracket

- NW6228-SBL Mill
- NW6228-BK Black
- NW6228-BZ Bronze (Special Order)
- NW6228-WH White (Special Order)

- ▶ **Small Base**
- ▶ Aluminum die cast
- ▶ 100 each per case @ 16lbs



NOTE! Bronze now comes in 2 shades!
 BZ or (-36) is our standard dark bronze
 BZ2 is a lighter bronze
 Check for availability or minimum order quantity

All Painted Swivel Ball & Adjustable Brackets are Assembled

Ornamental Wall Mount Brackets and End Caps

1" X 2"

Rectangular Dual Flange Rail Mount Bracket

NW6233-SBL Mill

Accommodates a 1" x 2" rail
Dual Flange Wall Mount

- ▶ Aluminum die cast
- ▶ 100 each per case @13lbs



Rectangular Single Flange Rail Mount Bracket

NW6241-SBL Mill

Accommodates a 1" x 2" rail

- ▶ Aluminum die cast
- ▶ Top/bottom mounting holes
- ▶ 200 each per case @ 24lbs



1" X 1 5/8"

Round Single Flange Wall Mount Bracket

NW6238-SBL Mill

- ▶ 1" x 1 5/8"
- ▶ Aluminum die cast
- ▶ 300 each per case @ 52lbs



Patio Railing Brackets

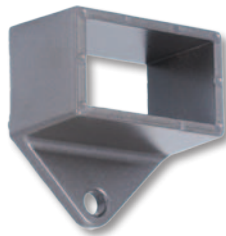
'V' Flange Wall Mount Bracket

NW272-76 Mill

NW272-36 Bronze

NW272-56 White

- ▶ Accepts both bottom channel & snap plate
- ▶ 1" x 1 13/16" opening
- ▶ Aluminum die cast
- ▶ 280 each per case @ 42lbs



Rectangular Dual Flange Wall Mount Bracket

NW268-36 Bronze

NW268-56 White

NW268-76 Mill

- ▶ Accommodates a 1" X 1 7/8 "rail
- ▶ Aluminum die cast
- ▶ Accepts both bottom channel and snap plate
- ▶ 210 each per case @ 50lbs



Patio Railing Brackets

Mushroom Single Flange Mount Bracket

NW270-36 Bronze

NW270-56 White

NW270-76 Mill

- ▶ Accommodates a 1 5/8" x 2 5/8" rail
- ▶ Aluminum die cast
- ▶ 160 each per case @ 47lbs



Mushroom Railing End Cap

NW269-36 Bronze

NW269-56 White

NW269-76 Mill

- ▶ Accommodates a 2 1/4" x 1 5/8" rail
- ▶ Aluminum die cast
- ▶ 300 each per case @ 47lbs



Round Top Cap

NW271-26 Black

NW271-36 Bronze

NW271-56 White

NW271-76 Mill

- ▶ Accommodates a 1 5/8" x 2" rail
- ▶ Aluminum die cast
- ▶ 210 each per case @ 43lbs



Round Top Railing End Cap

NW267-36 Bronze

NW267-56 White

NW267-76 Mill

- ▶ Accommodates a 1 3/4" x 1 1/4" rail
- ▶ Aluminum die cast
- ▶ 300 each per case @ 40lbs



Floor Mount

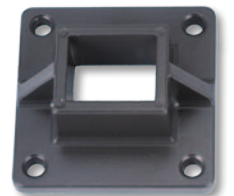
Aluminum Die Cast

NW273-76 Mill

NW273-36 Bronze

NW273-56 White

- ▶ Accommodates a 1 7/8" x 1 1/2" post
- ▶ Profile height: 1 3/4"
- ▶ Flange: 4 3/8" x 4 3/8"
- ▶ 45 each per case @ 41lbs



Ornamental Floor Mounts and Cover Plates

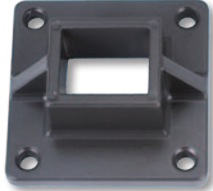
Floor Mounts

All Floor Mount Brackets are Aluminum Die Cast

- NW302-MI Mill
- NW302H-MI Mill with hole for set screw
- NW302-26 Black
- NW302-36 Bronze
- NW302-56 White

Accommodates a 2" x 2" post

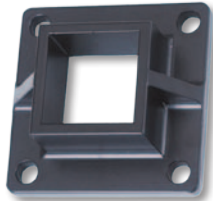
- › Profile height: 1 3/4"
- › Flange: 4 3/8" x 4 3/8"
- › 50 each per case @ 44lbs



- NW6187H-MI Mill with hole for set screw
- NW6187H-BK Black with hole for set screw
- NW6187H-BZ Bronze with hole for set screw (Special Order)
- NW6187H-WH White with hole for set screw (Special Order)

Accommodates a 2 1/2" x 2 1/2" post

- › Profile height: 1 3/4"
- › Flange: 4 3/8" x 4 3/8"
- › 40 each per case @ 44lbs



- NW6173H-MI Mill with hole for set screw
- NW6173H-BK Black with hole for set screw
- NW6173H-BZ Bronze with hole for set screw (Special Order)
- NW6173H-WH White with hole for set screw (Special Order)

Accommodates a 3" x 3" post

- › Profile height: 1 3/4"
- › Flange: 4 3/8" x 4 3/8"
- › 20 each per case @ 38lbs

Premium Floor Mount Brackets

- NW6248-SBL Mill
- NW6248-BK Black (Special Order)
- NW6248-BZ Bronze (Special Order)
- NW6248-WH White (Special Order)

- › Accommodates 2" posts
- › Aluminum die cast
- › OD: 5", Overall Height: 1.25", Inside Height: 1.72"
- › 45 each per case @ 60lbs



- NW6249-SBL Mill
- NW6249-BK Black (Special Order)
- NW6249-BZ Bronze (Special Order)
- NW6249-WH White (Special Order)

- › Accommodates 2 1/2" posts
- › Aluminum die cast
- › OD: 5", Overall Height: 1.25", Inside Height: 1.72"
- › 45 each per case @ 58lbs



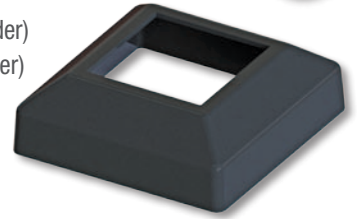
- NW6248/49PLUGBK Black
- › Bolt Hole Cover for Premium Floor Mounts
- › Each – Order amount needed



One Piece Cover Plate

- NW6197-SBL Mill
- NW6197-BK Black
- NW6197-BZ Bronze (Special Order)
- NW6197-WH White (Special Order)

- › Accommodates a 2" x 2" post
- › Profile height: 1 3/4"
- › OD: 4 3/8" x 4 3/8"
- › Fits Over **NW302**
- › 50 each per case @ 44lbs



NEW!

- NW6198-SBL Mill
- NW6198-BK Black
- NW6198-BZ Bronze (Special Order)
- NW6198-WH White (Special Order)

- › Accommodates a 2 1/2" x 2 1/2" post
- › Profile height: 1 3/4"
- › OD: 4 3/8" x 4 3/8"
- › Fits Over **NW6187**
- › 50 each per case @ 29lbs

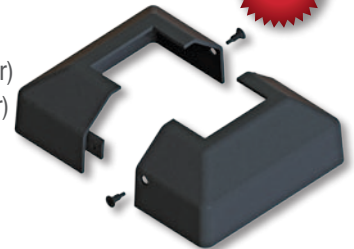
- NW6190-MI Mill
- NW6190-BK Black
- NW6190-BZ Bronze (Special Order)
- NW6190-WH White (Special Order)

- › Accommodates a 3" x 3" post
- › Profile height: 1 3/4"
- › OD: 4 3/8" x 4 3/8"
- › Fits Over **NW6173**
- › 50 each per case @ 32lbs

Two Piece Cover Plate

- NW6243-SBL Mill
- NW6243-BK Black
- NW6243-BZ Bronze (Special Order)
- NW6243-WH White (Special Order)

- › Accommodates a 2" x 2" post
- › Profile height: 1 3/4"
- › Flange: 4 3/8" x 4 3/8"
- › 50 each per case @ 24lbs



NEW!

Two Piece "Core" Cover Plate Hides Concrete Residue

- NW6257-SBL Mill
- NW6257-BK Black
- NW6257-BZ Bronze (Special Order)
- NW6257-WH White (Special Order)

- › Accommodates a 2" x 2" post
- › Profile height: 1 3/4"
- › OD: 4 3/8" x 4 3/8"
- › 100 each per case @ 22lbs



NEW!

Aluminum Decorative Single 'O' Ring

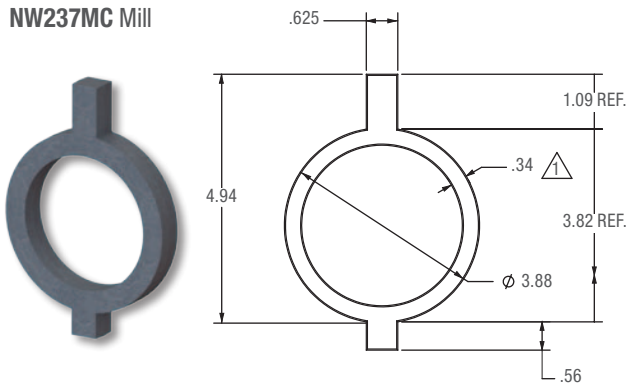
NW237A-MI Mill

- ▶ Used with 3/4" picket system
- ▶ 4" Outer Diameter
- ▶ 3 1/4" Inner Diameter
- ▶ 120 each per case @ 40lbs



Aluminum Decorative Single 'O' Ring Use with 5/8" Picket System (Special Order)

NW237MC Mill



Aluminum Decorative Double 'O' Ring

NW237DBL-MI Mill

NW237DBL-26 Black

NW237DBL-36 Bronze

- ▶ Used with 3/4" picket system
- ▶ Spacing between two rings is .770"
- ▶ 3 7/16" Outer Diameter
- ▶ 2 7/8" Inner Diameter
- ▶ 50 each per case @ 24lbs



Aluminum Decorative Scroll

NW241-SBL Mill (Special Order)

- ▶ Used with 5/8" picket system
- ▶ Fits .600 Profile
- ▶ 3 5/8"(H) x 3 3/4"(W) x 5/8"(D)
- ▶ 160 each per case @ 42lbs



NW241J-SBL Mill

- ▶ Fits .625 Profile

Keyless Locks

- ▶ Mechanical Combination Locks - No electronics
- ▶ Passage function may be set for exiting without code
- ▶ Easy code change with any amount of numbers
- ▶ Dead locking spring latch
- ▶ Marine grade interior
- ▶ Slip clutch design - No damage to lock if handle is pushed down too hard
- ▶ Locks fit gate frames 1-3/8" to 2-3/8"
- ▶ Locks never need lubrication



Two Sided Keypad

NW-2835DC-BK Black

NW-2835DC-SC Satin Chrome

NW-2835DC-MG Marine Grade



1 Side Keypad & 1 Side Blank

NW-2835-BK Black

NW-2835-SC Satin Chrome

NW-2835-MG Marine Grade



Lockboxes for NW-2835

LOCKBOX2 Steel

LOCKBOX2-AL Aluminum



Two Sided Heavy Duty

- ▶ Order in Left or Right

- ▶ Satin Chrome or Marine Grade

NW-1150DCL-SC Left

NW-1150DCR-SC Right

NW-1150DCL-MG Left

NW-1150DCR-MG Right

Lockboxes for NW-1150

LOCKBOX3 Steel

LOCKBOX3-AL Aluminum



One Sided

NW-285-P-SC Satin Chrome

- ▶ For use with **NW-PB1100-SC** Panic Bar



Lock Boxes, Gate Handles and Bumpers, Drop Rods

Mortise Lockset Box

NW214-MI Mill

- ▶ Box is 3 3/8"(H) x 4 7/16"(W) x 2"(D)
- ▶ Welded into gate profile to accommodate traditional mortise lockset
- ▶ 50 each per case @ 29lbs



Nylon Gate Bumper

NW6186-SD-BK Black
NW6186-SD-WH White

- ▶ Made with durable glass-filled nylon with UV inhibitors
- ▶ Flanges are each 2"(W) x 1.75"(D) for durable attachment
- ▶ Overall height is 4.5"
- ▶ Stainless steel screws included
- ▶ 50 each per case @ 22lbs
- ▶ Also available in quantities of 10



Nylon Gate Handle

NW314S-BK Black
NW314S-WH White

- ▶ Made with durable glass-filled nylon with UV inhibitors
- ▶ Flanges are each 1.5"(W) x 1.25"(D) for durable attachment
- ▶ Overall height is 5" and handle is .75" deep
- ▶ Very comfortable and easy to grasp
- ▶ Stainless steel screws included
- ▶ 50 each per case @ 8 lbs



Stainless Steel Gate Handle

NW6184-BK Black
NW6184-WH White

- ▶ 2-Sided Attachment
- ▶ Modern Design
- ▶ Stainless steel screws included
- ▶ 50 each per case @ 35 lbs



Stainless Steel Gate Bumper

NW6237-BK

- ▶ Slim Line Design
- ▶ 2-Sided Attachment
- ▶ Stainless Steel Screws included
- ▶ 50 each per case @ 7lbs



Heavy Duty Stainless Steel Drop Rod

24" NW38305-24SS Mill

NW38305-24SSB Black
NW38305-24SSW White
20 each per case @ 39lbs

36" NW38305-36SSB Black

NW38305-36SSW White (Special Order)
10 each per case @ 23lbs

48" NW38305-48SSB Black

NW38305-48SSW White (Special Order)
10 each per case @ 40lbs

- ▶ 5/8" diameter
- ▶ Screws included
- ▶ Dual guides
- ▶ Pad-lockable
- ▶ Retention-ears for theft prevention



Stainless Steel Key Locking Drop Rods

18" NW38305KL-18SSB Black
NW38305KL-18SSW White
10 each per case @ 21lbs

24" NW38305KL-24SSB Black
NW38305KL-24SSW White
10 each per case @ 23lbs

36" NW38305KL-36SSB Black
NW38305KL-36SSW White
10 each per case @ 36lbs

48" NW38305KL-48SSB Black
NW38305KL-48SSW White
10 each per case @ 45lbs

- ▶ Add the appeal of a key lock to your drop rod
- ▶ Anti-theft protection
- ▶ The handle & brackets are made of low-maintenance, glass filled nylon
- ▶ The rods are 300 series stainless steel
- ▶ Available with Black or White brackets
- ▶ 2-sided bracket attachment
- ▶ Stainless steel screws included

Designed with multiple "set" points for desired height when in the "up" position



All Lockable Drop Rods
Can Be Keyed Alike

Comfortable, easy
to use handle

Gate Wheels, Hydraulic Gate Closers and Cantilever Trolleys

Aluminum Drop Rods

NW38305A1-24BK

(colors are special order)

- ▶ Fits gates frames 1" or larger
- ▶ 24" height
- ▶ Rust resistant and cost effective
- ▶ Light to handle, easy to install
- ▶ 20 each per case @ 23 lbs



Comes with a holder for "up position"

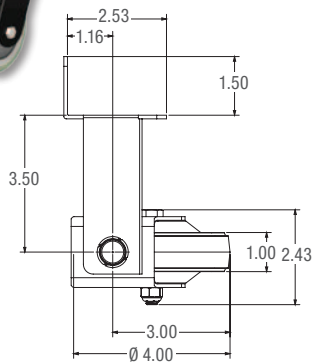


Gate Wheels

GW1-SS-BK Black

GW1-SS-WH White

- ▶ Stainless steel bracket and spring
- ▶ Composite wheel designed for rougher uneven surfaces and large temperature ranges
- ▶ Swivel design for ease of use
- ▶ 2-sided attachment for added strength
- ▶ Easily reversible for use on left or right-handed gates
- ▶ Nationwide's V-notch™ styling
- ▶ May be used on any square profile
- ▶ Powder-coated finish
- ▶ Stainless steel screws included
- ▶ 10 each per case @ 38 lbs



GW2-BK Black

- ▶ Zinc plated steel with powder-coated finish
- ▶ Composite wheel designed for rougher uneven surfaces and large temperature ranges
- ▶ Swivel design for ease of use
- ▶ Easily reversible for use on left or right-handed gates
- ▶ Attaches easily, **2" wide bracket**
- ▶ Nationwide's V-notch™ styling
- ▶ May be used on any flat surface
- ▶ Lag screws included
- ▶ 10 each per case @ 38 lbs



Hydraulic Gate Closers



GC2-BK Black

GC2-WH White

- ▶ Works with gates up to 125 lbs
- ▶ Works with gates widths up to 54"
- ▶ Adjustable closing speed and adjustable latching speed
- ▶ 90° hold open feature
- ▶ Maximum opening of 90°
- ▶ Powder coated steel
- ▶ 12 each per case @ 30 lbs

GC1-BK Black

- ▶ Works with gates up to 150 lbs
- ▶ Works with gates widths up to 54"
- ▶ Adjustable closing speed
- ▶ 90° hold open feature
- ▶ Powder coated steel
- ▶ 8 each per case @ 43 lbs



Other Colors Available

Trolley for Cantilever Gates

NW-TROLLEY4W

NW-TROLLEY8W

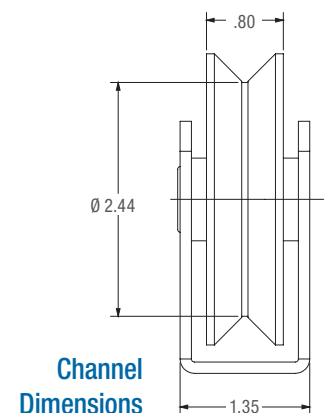
- ▶ 4W: 6 each per case @ 29lbs
- ▶ 8W: 4 each per case @ 33lbs



3" Wheel

ROLL3B

- ▶ "V" Groove
- ▶ Zinc plated steel
- ▶ Attached bracket included
- ▶ 25 each per case @ 44lbs



Channel Dimensions

Ask about our other Fence Hardware Catalogs



Innovative Fence and Railing Hardware



Vinyl Fence Hardware



Wood Fence Hardware



Hydraulic Gate Closers



Keyless Gate Locks



Chain Link Gate Hardware

CornerStone®
The Million Cycle
Self-Closing Nylon Hinges

Keystone Advantage®
Heavy Duty
Key-Lockable Latches

Keystone® X
eXternal Mount
Key-Lockable Latches

OrnaMAG™
Magnetic
Metal Latches

Manta™
Magnetic
Nylon Latches

AquaLatch®
Magnetic Pool
Safety Latches

Trident™
Magnetic Gate
Safety Latches

V-Notch™
Hinges and
Latches

