



# Ornamental Rail Composite Balusters

**INSTALLATION & MAINTENANCE GUIDE**

JANUARY 2013





# Dear Valued Customer:



**TimberTech would like to thank you for your interest in our railing systems. We strive to better serve our customers and hope that you have a wonderful experience with TimberTech.**

TimberTech focuses on quality, innovation and brand in all that we do. With an assortment of plank profiles, industry leading railing systems, fencing and numerous accessories, building beautiful decks has never been easier.

TimberTech is committed to providing builders and professional deck installers with exciting new products our customers demand, as well as programs and support material to differentiate themselves in the marketplace.

TimberTech has compiled this Railing & DeckLites® Installation & Maintenance Guide to provide a thorough resource for technical information for our railing systems and deck lighting system.

To get information on other TimberTech products visit [timbertech.com](http://timbertech.com) or ask your dealer for these installation guides:

- **TimberTech Decking & DrySpace™ Installation & Maintenance Guide**
- **TimberTech FenceScope® Installation & Maintenance Guide**

## Installing TimberTech

**TimberTech offers a variety of innovative railing systems and infill options. A variety of color choices allow you to match or complement your TimberTech deck planks.**

TimberTech products are a revolutionary alternative to traditional wood—they don't rot, warp or splinter—and they look great year after year. And unlike wood, TimberTech products require no painting, staining or sealing.

**Make sure your project meets local building codes before you begin installation.**

These installation guidelines will direct you through the process of installing TimberTech railing systems. These methods are recommended by TimberTech but may not cover every installation scenario you encounter. Since each installation is unique in its performance requirements, the ultimate installation method used is the sole responsibility of the installer. TimberTech recommends that all designs be reviewed by a licensed architect, engineer or local building official before installation.

### TimberTech Code Listings

Once a product is tested by an independent lab, an application and report is submitted to one of several agencies that provide listings for building products that meet the requirements of Acceptance Criteria 174 (AC 174) as set forth by the International Code Council Evaluation Service (ICC-ES). TimberTech currently has listings from the ICC-ES and Architectural Testing Inc. The following TimberTech reports on code compliance are available to download on [www.timbertech.com](http://www.timbertech.com).

**For the most up-to-date code listings visit**

**[www.timbertech.com/installation](http://www.timbertech.com/installation).**

#### ICC Evaluation Service, Inc.

ICC ESR-1400 • Ornamental Rail System



#### Underwriters Laboratories, Inc.

E351168 • DeckLites

#### ATI Architectural Testing, Inc.

CCRR-0114 • RadianceRail

CCRR-0129 • BuilderRail

Code listing for RadianceRail Express Pending

#### Test Reports:

ADA Hand Rail & Secure Mount Post System tested to requirements of ICC-ES-AC-174

# Railing Product Choices

RAILING & RAILING ACCESSORIES	Size											
		Cedar	Grey	Redwood	Antique White	Classic Black	Coastal White	Mountain Cedar	RiverRock	SandRidge	Traditional Walnut	Brick
<b>RADIANCE RAIL®</b>												
6' RadianceRail Complete Kit-Square Balusters	6' length - 36" high					X	X					
8' RadianceRail Complete Kit-Square Balusters	8' length - 36" high					X	X					
6' RadianceRail Rail Pack	6' length				X	X						
8' RadianceRail Rail Pack	8' length				X	X						
8' RadianceRail Custom Rail Pack (no pre-drilled holes)	8' length				X	X	X	X	X	X	X	X
6' Baluster Pack - Square Balusters	6' length, 36" high / 42" high				X	X	X	X	X	X	X	X
8' Baluster Pack - Square Balusters	8' length, 36" high / 42" high				X	X	X	X	X	X	X	X
Hardware Mounting Kit	N/A											
Post Cover for 4x4 Post (use with 36" rails)	5" x 5" x 42"				X	X	X	X	X	X	X	X
Post Cover for 4x4 Post (use with 42" rails)	5" x 5" x 12"				X	X	X	X	X	X	X	X
Post Cap and Post Skirt	N/A				X	X	X	X	X	X	X	X
<b>RADIANCE RAIL® EXPRESS</b>												
6' RadianceRail Express Rail Pack	6' length					X	X					X
8' RadianceRail Express Rail Pack	8' length					X	X					X
8' RadianceRail Express Stair Rail Pack	8' length					X	X					X
6' Baluster Pack Square Balusters	6' length, 36" high / 42" high					X	X					X
8' Baluster Pack Square Balusters	8' length, 36" high / 42" high					X	X					X
Post cover for 4x4 Post (use with 36" rails)	4"x4" x 39"					X	X					X
Post cover for 4x4 Post (use with 42" rails)	4"x4" x 8"					X	X					X
Hardware Mounting Kit	N/A					X	X					X
Hardware Mounting Kit for stairs	N/A					X	X					X
Gasket Pack	N/A					X	X					X
Post Cap and Post Skirt	N/A					X	X					X
<b>EVOLUTIONS RAIL®   CONTEMPORARY</b>												
16' Evolutions Rail   Contemporary Top Rail	16' length					X						X
6' Evolutions Rail   Contemporary Rail Pack	6' length					X						X
8' Evolutions Rail   Contemporary Rail Pack	8' length					X						X
6' Baluster Pack - Square Balusters	36" high / 42" high					X						X
8' Baluster Pack - Square Balusters	36" high / 42" high					X						X
Hardware Kit	N/A					X						X
Post Cover for 4x4 Post (for 36" rail)	5 x 5 x 42"					X						X
Post Cover for 4x4 Post (for 42" rail)	5 x 5 x 8"					X						X
Post Skirt	N/A					X						X
<b>EVOLUTIONS RAIL®   BUILDER</b>												
6' Evolutions Rail BuilderBoard	6' length					X						X
8' Evolutions Rail BuilderBoard	8' length					X						X
Metal Baluster Pack - Black	8' length, 36" high / 42" high					X						X
Metal Baluster Pack for Stairs - Black	8' length, 36" high / 42" high					X						X
Hardware Kit	N/A					X						X
Post Cover for 4x4 Post (for 36" rail)	5 x 5 x 42"					X						X
Post Cover for 4x4 Post (for 42" rail)	5 x 5 x 8"					X						X
Post Skirt	N/A					X						X
<b>ORNAMENTAL RAIL</b>												
6' Ornamental Rail Kit:	6' length	X	X	X								
8' Ornamental Rail Kit:	8' length	X	X	X								
6' Baluster Kit, 16 Pre-Cut Solid Square, 36" rail ht.	1.3" x 1.3" x 27"	X	X	X								
8' Baluster Kit, 20 Pre-Cut Solid Square, 36" rail ht.	1.3" x 1.3" x 27"	X	X	X								
4' Post Cover for 4x4 Post	4.25" x 4.25" x 4"	X	X	X								
12' Post Cover for 4x4 Post	4.25" x 4.25" x 12"	X	X	X								
Baluster, Solid Square	1.3" x 1.3" x 12"	X	X	X								
Post Cap and Post Skirt	N/A	X	X	X								
<b>BUILDER RAIL®</b>												
6' BuilderRail Kit: Black Classic Metal Balusters	6' length, 36" high / 42" high											
8' BuilderRail Kit: Black Classic Metal Balusters	8' length, 36" high / 42" high											
8' BuilderRail Stair Kit: Black Classic Metal Balusters	8' length, 36" high / 42" high											
BuilderRail Post Brackets - Black	90°											
BuilderRail Stair Post Brackets - Black	125°											
BuilderBoard® Rails	6' or 8' lengths	X	X	X								
Post Skirt	N/A	X	X	X								
Foot Blocks		X	X	X								
<b>* Use Ornamental Rail Post Covers and Post Skirts with BuilderRail.</b>												
<b>METAL BALUSTERS</b>												
Metal Baluster Pack - Black	8' length, 36" high / 42" high											
Metal Baluster Pack for Stairs - Black	8' length, 36" high / 42" high											
<b>* Use with RadianceRail® and Evolutions Rail™</b>												
<b>CABLERAIL by FEENEY</b>												
Quick-Connect® Hardware Packs	36" high (9 connectors) / 42" high (11 connectors)											
Cable	100' spool and 500' rolls											
CableRail Accessory Pack	N/A											
<b>* Use with RadianceRail® and Evolutions Rail™.</b>												
<b>ADA HAND RAIL SYSTEM</b>												
Grab Rail with Aluminum Insert	1.5" OD x 104"						X	X				
Aluminum Joiner Kit	1" OD x 6"											
Inside/Outside Corner	1-1/2" OD x 4" x 4"						X	X				
Inline Wall Mount Bracket	3"						X	X				
Inside Corner 90° Standoff Bracket	6-1/4"						X	X				
End Cap	1-1/2"						X	X				
Handicap Loop	18" x 12" x 18"						X	X				
Adjustable Internal Joiner												
90° Return Bracket	3.75" x 3.5"						X	X				
External Swivel Connector							X	X				
Standoff Bracket	2-1/4"						X	X				
<b>SECURE-MOUNT POST SYSTEM</b>												
Secure-Mount Post	36" - Adjusts to 42" high if needed											
Deck Mounting Kit (includes leveling kit)	N/A											

# Ornamental Rail

Visit [www.timbertech.com/installation](http://www.timbertech.com/installation) to view TimberTech installation videos.

- Consult your local building codes for guard and handrail requirements.

Ornamental Rail kits are available in 6' or 8' lengths.

## Measure Your Railing Area

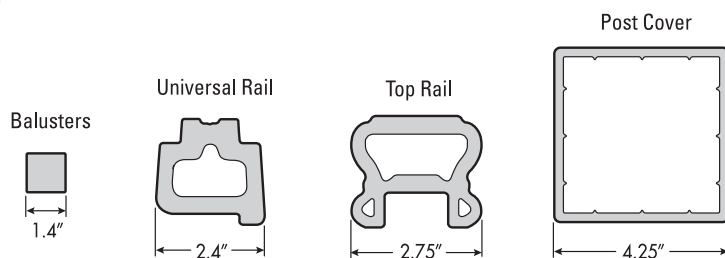
- Determine how many 6' or 8' Ornamental Rail Kits you need and check to be sure you have all the components (and quantities) listed in the chart.

## Important Information

- Pre-drilling is required for all fastener locations.
- Heights specified in this guide are for 36" residential use.
- Prior to installation it is recommended that you consult your local building codes.
- Protective clothing and safety glasses are recommended.
- For all TimberTech products, standard woodworking tools may be used.
- As with any outdoor product, periodic cleaning is recommended.

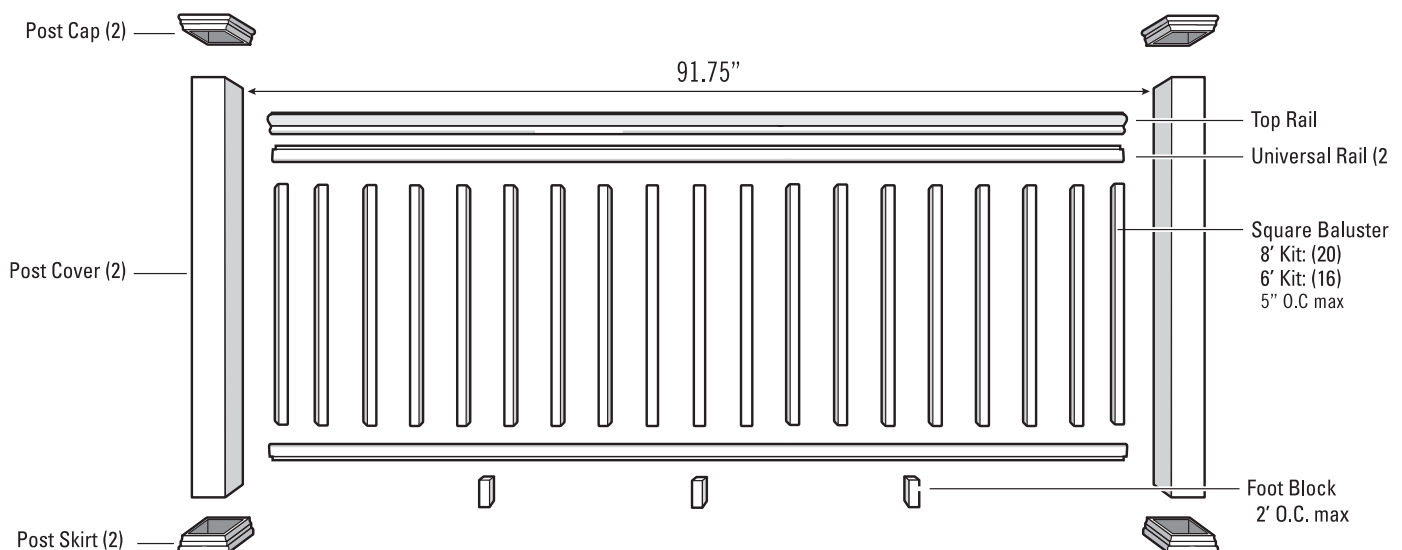
Components Needed For Installing One Ornamental Rail Section	
<b>Components Included in 6' and 8' Kits</b>	1 - Ornamental Top Rail 2 - Universal Rails
	<b>Screw Kits</b> 6' Kit: (44) #8 x 3-1/2" Screws (6) #10 x 3-1/2" Flathead Screws 8' Kit: (55) #8 x 3-1/2" Screws (6) #10 x 3-1/2" Flathead Screws
	<b>T-20 torx driver bit</b>
<b>Additional Components Needed for Each System</b>	2 - Post Covers
	2 - Post Caps
	2 - Post Skirts
	One Baluster Kit for each section: 1 - 6' Baluster Kit - 15 Balusters or 1 - 8' Baluster Kit - 20 Balusters 36" Kit - 27" Baluster height

## Component Dimensions



## Tools Required

- Miter Saw
- Drill
- 3/16" drill bit
- Tape Measure

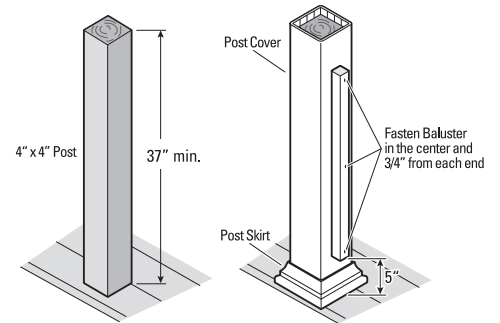


# Installing Ornamental Rail with Composite Balusters

- Consult your local building codes for guard and handrail requirements.

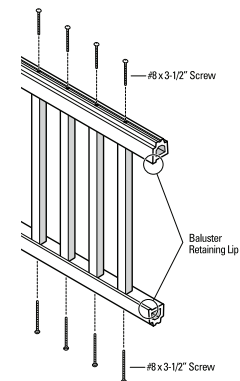
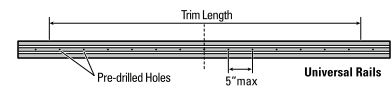
## 1 Prepare Posts

- Posts must be positioned no more than 8' on center for 8' kits or 6' on center for 6' kits, and must be plumb.
- Trim 4x4 post to a minimum of 37" above finished deck surface. \*If installing DeckLites see page 30 for post component heights.
- Trim Post covers to desired length. For best results use a miter box.
- Slide Post Cover over 4x4 post. Do not force Post Cover over Post.
- Slide Post Skirts over Post Cover. (You will not be able to install Post Skirts once railing is installed.)
- Center one baluster on each post face that will receive a rail. Position the bottom of the baluster 5" from the deck surface and attach with #8x 3-1/2" screws.



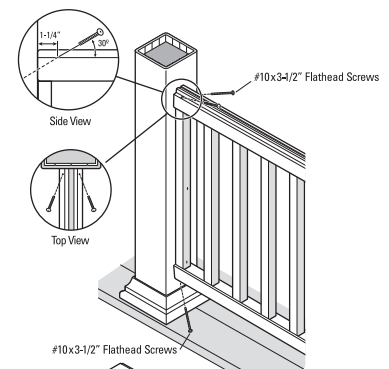
## 2 Prepare Rail

- Take measurements between posts for top and bottom rails and transfer these dimensions to the Universal Rails. (If you are installing an angled section, measure rail angle and transfer to Universal Rails.)
- Keep in mind when transferring measurements that the Baluster Retaining Lip on both rails must be installed so that they face the outside of the deck.
- In order to achieve even baluster spacing, center the measurement on a pre-drilled hole or half way between two holes. (Remember to take into account the 2 post mounted balusters.)
- The Universal Rails are pre-drilled for proper baluster spacing. If you find that the pre-drilled holes will not give you a balanced look, you may re-space the balusters as necessary. If you decide to alter the spacing, you will need to pre-drill with a 3/16" drill bit. **Baluster spacing must not exceed 5" from center to center.**
- Once the layout has been determined, trim Universal Rails to length.
- Attach balusters to Universal Rails using the #8 x 3-1/2" screws. Make sure to keep the Baluster Retaining Lip facing the outside of the deck.



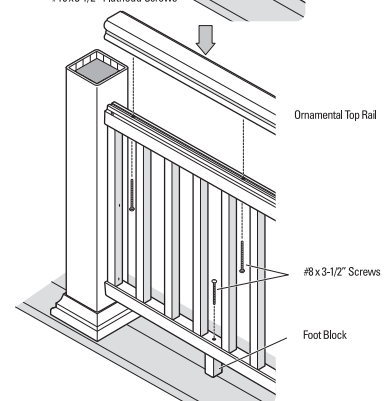
## 3 Attach Rail Assembly to Posts

- Once the main rail assembly is complete, slide it over the post-mounted Balusters. The Baluster retaining lip on the Universal Rails must be installed to the outside of the deck.
- Using a 3/16" drill bit to drill pilot holes at 30° from horizontal and approximately 15° to the side, starting 1 1/4" from the end of the rail.
- Secure the rail assembly to the post by driving #10 x 3-1/2" flathead screws through the pilot holes into the post. Do not bury the screw heads fully into the Universal Rail, leave one half of the screw head above the surface.



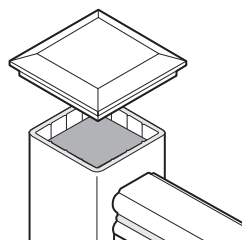
## 4 Attach Top Rail and Foot Block

- Pre-drill through the Universal at first baluster space and every fourth baluster space thereafter with a 3/16" drill bit. Place Ornamental Top Rail and secure with #8 x 3-1/2" screws as shown.
- Measure and cut Foot Blocks from the end of a spare Baluster. Position Foot Blocks every 2' on center. Pre-drill Universal Rail with a 3/16" drill bit and secure with #8 x 3-1/2" screws as shown.



## 5 Install Post Caps

- Place Post Caps over post covers and fasten with stainless steel finish nails or exterior caulk.



# Installing Ornamental Rail Stairs with Composite Balusters

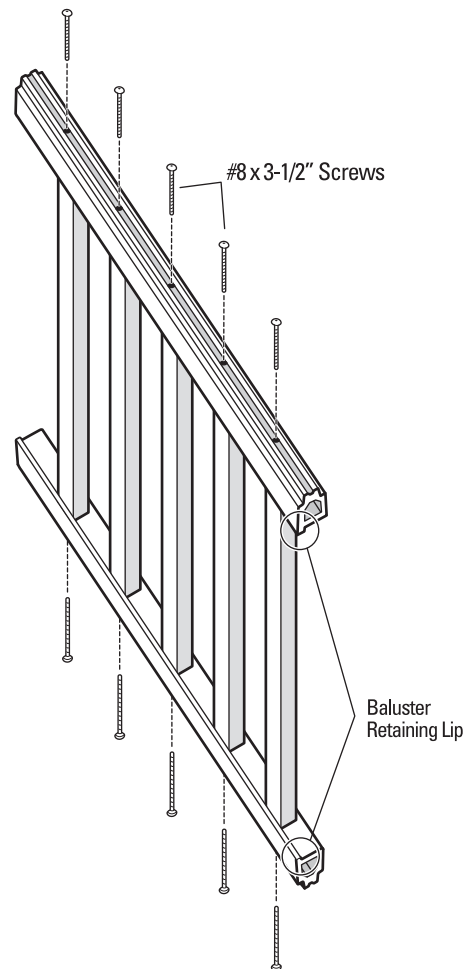
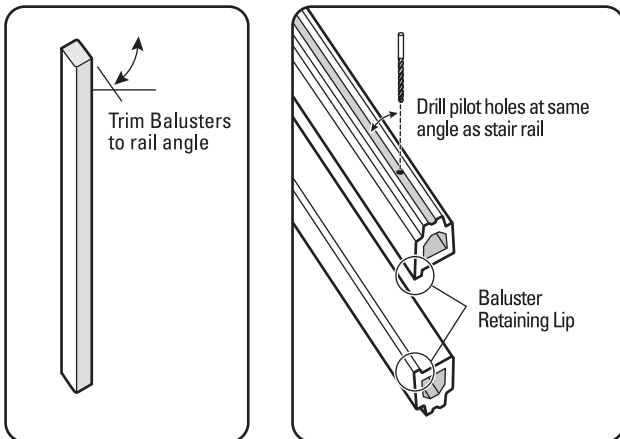
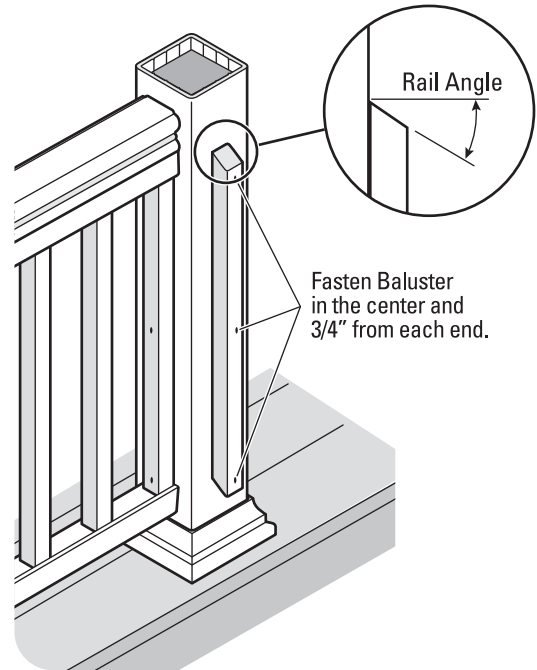
- Consult your local building codes for guard and handrail requirements.

## 1 Prepare Posts

- Trim post and Post Cover to desired height based on angle of stair. Install Post Cover and Post Skirt.

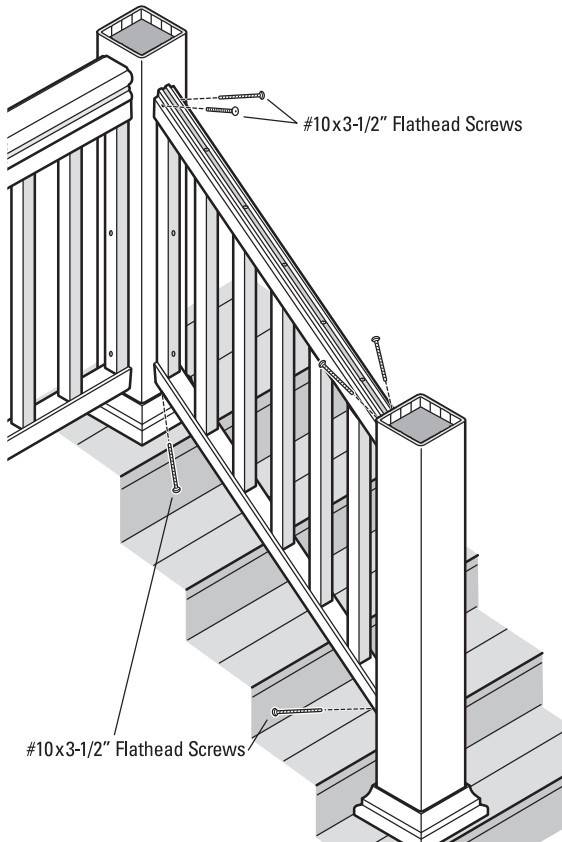
## 2 Prepare Rails and Balusters

- Determine the angle of the stair rail, then measure the distance between posts for top and bottom Universal Rail. Transfer these dimensions as well as the angle of the rail to the Universal Rails.
- Determine Baluster spacing as outlined in the *Preparing Rails* section of the Straight Rail instructions. Once you are satisfied with the baluster spacing and rail lengths, trim Universal Rails to length.
- Pre-drill the Baluster holes in the Universal Rails at the same angle as the stair. It may be helpful to cut a piece of scrap wood to the desired angle and use it as a guide.
- Trim the balusters to the required length by cutting the stair angle at each end.
- Attach Balusters to the Universal Rails using the #8 x 3-1/2" screws. Make sure to keep the Baluster Retaining Lip to the same side.
- Attach a pre-trimmed Baluster to the post using three #8 x 3-1/2" screws.



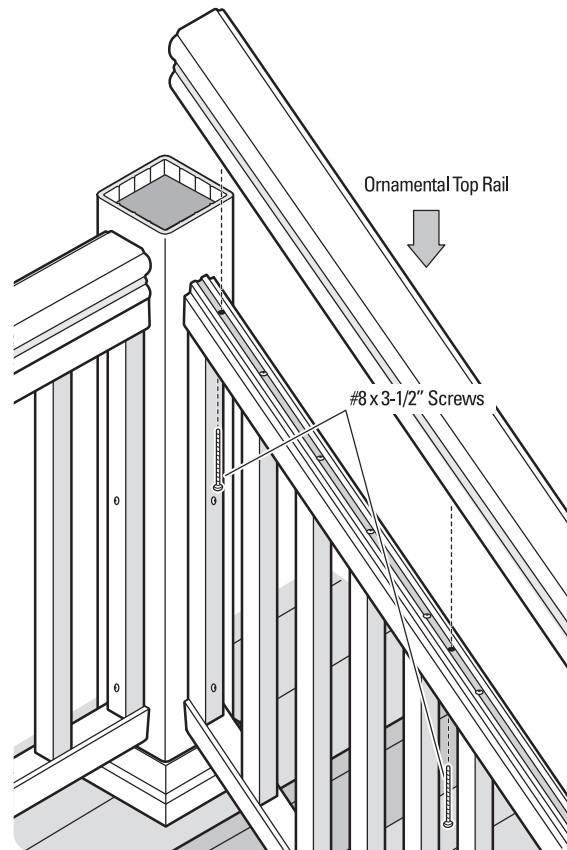
### 3 Install Rail Assembly

- Slide Rail Assembly between posts and let it rest on the post mounted Balusters.
- Secure rails to post by pre-drilling 3/16" holes through the rail 1-1/4" from the end, as shown.



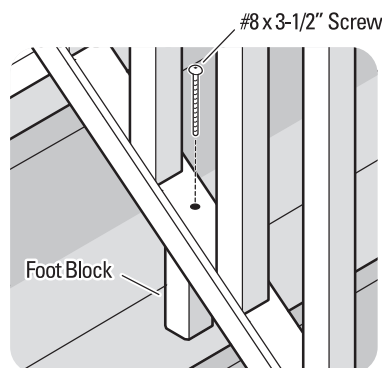
### 4 Install Top Ornamental Rail

- Trim the Top Ornamental Rail to the dimensions and angle of the top Universal Rail.
- Place Ornamental Top Rail in place. Pre-drill and secure at the first baluster spacing from each end and every fourth space thereafter with #8 x 3-1/2" screws as shown.



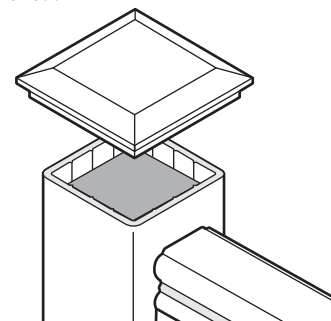
### 5 Attach Foot Blocks

- Determine the location of the Foot Blocks (they should be spaced 2' on center.) Measure the distance between the step and the bottom of the rail. Cut a Foot Block from the end of a spare baluster to the desired angle and length. Footblocks must be used.
- Pre-drill and secure Foot Block to the bottom Universal Rail using a #8 x 3-1/2" screw.



### 6 Install Post Caps

- Place Post Caps over post covers and fasten with stainless steel finish nails or exterior caulk.



# Care & Cleaning

With proper installation and care, TimberTech products will provide years of outdoor living pleasure.

## Storage

Store TimberTech products under cover to maintain a clean surface. If stored outdoors, they must be covered with a non-translucent material.

- All products should be stored flat and on a dry surface.
- Stack units with banding and bottom supports aligned.

## Discarding Scrap Product

Scrap can be discarded with normal construction debris.

## Care & Cleaning

### Basic Cleaning Recommendations

Although TimberTech products are low-maintenance, TimberTech recommends periodic cleaning to help maintain the beauty of the product. For best results a cleaner like eco-friendly Corte Clean ([corteclean.com](http://corteclean.com)) is recommended. Follow the manufacturers' application instructions.

A power washer can be used when cleaning your TimberTech products. The recommended maximum pressure is 1500psi. A fan tip nozzle should be used along with the proper cleaning product. Spray in the direction of the brush/grain pattern to avoid damaging the product. Use caution not to damage the material and always take the proper safety precautions when operating a power washer.

### Ice and Snow

For ice removal, either rock salt or calcium chloride may be used without damage to the surface. However, either of these products may leave a white residue, which may be removed by either rinsing with water, or a mild soap/water solution.

### Dirt, Grime, Tannin, and Mildew Stains

TimberTech products are formulated to inhibit mildew growth and minimize staining. Rinse off your TimberTech products periodically with a hose. Even if it appears clean, it is important to prevent build-up of pollen/debris. Mildew stains may occur where moisture, pollens, and/or dirt are present. Mildew needs a food source to grow, which can be grass, pollens, dirt, debris, wood and wood resins.

Cleaners that are recommended for use with TimberTech are:

- Sun Frog Composite Deck Cleaner ([sunfrog.com](http://sunfrog.com))
- Super Deck Composite Deck Cleaner ([superdeck.com](http://superdeck.com))
- Corte Clean ([corteclean.com](http://corteclean.com))
- E Z Off Composite Wood Cleaner ([sunbritesupply.com](http://sunbritesupply.com))
- Thompson's Water Seal—Oxy Action ([thompsonswaterseal.com](http://thompsonswaterseal.com))

### Spot Stains

Many stains can be cleaned with soap and water. If the stains have set, the following

cleaners have been found to remove or reduce the stains. Always follow the manufacturer's instructions to achieve maximum results. Areas cleaned may lighten; this will require 8-10 weeks exposure to the sun to match the remaining product.

### Ornamental Rail, and BuilderRail:

#### General Cleaning:

- Soap & Water
- CorteClean

- Tree Sap:**
- Krud Cutter ([krudcutter.com](http://krudcutter.com))
  - Simple Green ([simplegreen.com](http://simplegreen.com))

- Spray Paint:**
- Lift Off #4 ([liftoffinc.com](http://liftoffinc.com))

- Oil, Grease:**
- Krud Cutter ([krudcutter.com](http://krudcutter.com))
  - Oil Eater ([oileater.com](http://oileater.com))

#### BBQ, Ketchup, Mustard, Jelly and Jam:

- Krud Cutter ([krudcutter.com](http://krudcutter.com))

- Wine:**
- Wine Away ([wineaway.com](http://wineaway.com))

- Kool-Aid:**
- Oxi Clean ([oxiclean.com](http://oxiclean.com))

### RadianceRail & RadianceRail Express:

#### General Cleaning:

- Soap & Water
- CorteClean

#### Pencil marks or other scuffs:

- Mr. Clean Magic Eraser

### RadianceRail & RadianceRail Express Touch-Up:

Duplicolor 2-in-1 Automobile Touch-up Paint is recommended for scratches, nicks and scuffs on TimberTech RadianceRail:

- For Coastal White use "Gloss White"
- For Classic Black use "Universal Flat Black"

### Evolutions Rail:

#### General Cleaning:

- Soap & Water



# 25-Year Limited Residential Warranty 10-Year Limited Commercial Warranty



## Alternative decking materials, rail systems, accessories and the DrySpace deck drainage system

Statement of Warranty: This warranty is given to the original purchaser, residential or commercial as the case may be ("Purchaser"), of TimberTech alternative decking materials, rail systems (excluding all metal baluster components of such rail systems and DeckLites, which are covered under separate warranties), and accessories (individually and collectively "Decking Materials") and the DrySpace deck drainage system ("DrySpace" and, collectively with the Decking Materials, the "TimberTech Products"). This warranty does not extend to fasteners that are not supplied by TimberTech. For purposes of this warranty, a residential Purchaser shall refer to a single-family residential homeowner and a commercial Purchaser shall refer to any Purchaser other than a single-family residential homeowner.

TimberTech Limited ("TimberTech") warrants to Purchaser that, for a period of twenty-five (25) years (Residential) & ten (10) years (Commercial) from the date of the original purchase, residential or commercial as the case may be, (the "Term"), under normal use and service conditions, that: (1) the Decking Materials will be free from material defects in workmanship and materials, and will not check, split, splinter, rot or suffer structural damage from termites or fungal decay; and (2) DrySpace will not peel, blister, pit, flake, crack or corrode as a result of manufacturing defects, or as a result of exposure to ocean air (salt spray).

All warranties are subject to the exclusions, limitations and restrictions set forth below.

Obtaining Warranty Performance: If Purchaser discovers a defect in the TimberTech Products during the Term, Purchaser must, within thirty (30) days from the discovery of the alleged defect but no later than the end of the Term, notify TimberTech in writing, at the following address:

TimberTech Limited  
894 Prairie Avenue  
Wilmington, Ohio 45177  
Attn: Claims Department

Purchaser must include in this notification proof of purchase and a statement explaining the defect. TimberTech may request additional information. After reviewing all information, TimberTech will make a determination regarding the validity of such claim. If TimberTech determines that Purchaser's claim is valid, TimberTech will, at its option, either replace the defective TimberTech Products or refund the portion of the purchase price paid by Purchaser for such defective TimberTech Products (not including the cost of its initial installation).

If a residential Purchaser makes a valid warranty claim hereunder during years eleven (11) through twenty-five (25) after the original purchase, then the residential Purchaser's recovery will be prorated as indicated below. If TimberTech is providing replacement materials, it may elect to replace the percentage listed below of boards otherwise meeting the requirements for a claim; if TimberTech is refunding the purchase price, it may elect to refund the percentage listed below of the purchase price of boards otherwise meeting the requirements for a claim.

Year of Claim	Recovery
11	80%
12	80%
13	80%
14	60%
15	60%

Year of Claim	Recovery
16	60%
17	40%
18	40%
19	40%
20	20%

Year of Claim	Recovery
21	20%
22	20%
23	10%
24	10%
25	10%

This warranty shall not cover, and TimberTech shall not be responsible for, costs and expenses incurred with respect to the removal of the defective TimberTech Products or the installation of replacement materials, including but not limited to, labor and freight. The foregoing remedies are the SOLE AND EXCLUSIVE REMEDY FOR BREACH OF ANY WARRANTY.

Transfer of Warranty: This warranty may be transferred one (1) time, within the five (5) year period beginning from the date of original purchase by Purchaser, to a subsequent buyer of the property upon which the TimberTech Products were originally installed.

Exclusions from Warranty Coverage: TimberTech does not warrant against and is not responsible for, and no implied warranty shall be deemed to cover, any product failure, product malfunction, or damages attributable to: (1) improper installation of the TimberTech Products and/or failure to abide by TimberTech's installation guidelines, including but not limited to improper gapping; (2) use of TimberTech Products beyond normal use, or in an application not recommended by the TimberTech installation guidelines and local building codes; (3) movement, distortion, collapse or settling of the ground or the supporting structure on which the TimberTech Products are installed; (4) any act of God (such as flooding, hurricane, earthquake, lightning, etc.), environmental condition (such as air pollution, mold, mildew, etc.), or staining from foreign substances (such as dirt, grease, oil, etc.); (5) variations or changes in color of TimberTech Products; (6) normal weathering due to exposure to sunlight, weather and atmosphere which can cause colored surfaces to, among other things, flake, chalk, or accumulate dirt or stains; (7) improper handling, storage, abuse or neglect of the TimberTech Products by Purchaser, the transferee or third parties; (8) any fasteners not supplied by TimberTech; or (9) minor dripping from DrySpace.

Purchaser is solely responsible for determining the effectiveness, fitness, suitability and safety of the TimberTech Products in connection with their use in any particular application.

Limitations: DISCLAIMER OF WARRANTIES: EXCEPT FOR (1) THE EXPRESS WRITTEN WARRANTY CONTAINED HEREIN, AND, (2) THE 25 YEAR LIMITED RESIDENTIAL FADE AND STAIN WARRANTY APPLICABLE TO EARTHWOOD EVOLUTIONS DECKING ONLY (WHICH IS IN ADDITION TO THE WARRANTY CONTAINED HEREIN), TIMBERTECH MAKES NO OTHER WARRANTIES, GUARANTEES OR INDEMNITIES, WHETHER EXPRESS OR IMPLIED, ARISING BY LAW, COURSE OF DEALING, USAGE OF TRADE, CUSTOM OR OTHERWISE, INCLUDING BUT NOT LIMITED TO THE IMPLIED WARRANTY OF MERCHANTABILITY AND IMPLIED WARRANTY OF FITNESS FOR A PARTICULAR PURPOSE, AND ALL SUCH OTHER WARRANTIES, GUARANTEES AND INDEMNITIES ARE HEREBY DISCLAIMED, OVERRIDDEN AND EXCLUDED FROM THIS TRANSACTION FOR THE WARRANTY TERM AND BEYOND THE WARRANTY TERM.

Some states do not allow limitations on how long an implied warranty lasts so the above limitation may not apply to you.

LIMITATION OF REMEDIES AND EXCLUSION OF CONSEQUENTIAL AND INCIDENTAL DAMAGES: TIMBERTECH'S LIABILITIES ARE LIMITED SOLELY AND EXCLUSIVELY TO THE OBLIGATIONS SPECIFICALLY UNDERTAKEN HEREIN, AND UNDER NO CIRCUMSTANCES WILL TIMBERTECH BE LIABLE OR OBLIGATED FOR ANY INCIDENTAL, CONSEQUENTIAL, INDIRECT, SPECIAL, PUNITIVE OR ANY OTHER DAMAGES OF ANY KIND WHATSOEVER (INCLUDING, BUT NOT LIMITED TO, LOST PROFITS, LOST SALES, LOSS OF GOODWILL, USE OF MONEY, USE OF GOODS, STOPPAGE OF WORK, OR IMPAIRMENT OF ASSETS), WHETHER FORESEEABLE OR UNFORESEEABLE, ARISING OUT OF BREACH OR FAILURE OF EXPRESS OR IMPLIED WARRANTY, BREACH OF CONTRACT, FRAUD, MISREPRESENTATION, NEGLIGENCE, STRICT LIABILITY IN TORT OR OTHERWISE, EXCEPT AND ONLY TO THE EXTENT THIS LIMITATION IS SPECIFICALLY PRECLUDED BY APPLICABLE LAW OF MANDATORY APPLICATION. TIMBERTECH'S LIABILITY WITH RESPECT TO DEFECTIVE PRODUCTS SHALL IN NO EVENT EXCEED THE REPLACEMENT OF SUCH PRODUCTS OR REFUND OF THE PURCHASE PRICE, AS DESCRIBED ABOVE.

Some states do not allow the exclusion or limitation of incidental or consequential damages, so the above limitation or exclusion may not apply to you. This warranty gives you specific legal rights, and you may also have other rights that vary from state to state.

Miscellaneous: This writing is understood and intended to be the final expression of the parties' agreement and is a complete and exclusive statement of the terms and conditions with respect thereto, superseding all prior agreements or representations, oral or written, and all other communication between the parties relating to the subject matter of this agreement. This warranty may not be altered or amended except in a written instrument signed by TimberTech and Purchaser or permitted transferee. No agent, employee or any other party is authorized to make any warranty in addition to that made in this agreement and TimberTech shall not be bound by any such statements other than those contained in this warranty.

This warranty shall only be applicable and enforceable in the United States of America.

This warranty is effective for purchases (residential or commercial, as the case may be) made on or after January 1, 2011.

Copyright (c) 2012 TimberTech.

# Every TimberTech product is backed by exceptional customer service and a commitment to quality

## Warranty Registration is Easy

- The easiest way to register a warranty is to visit [www.timbertech.com](http://www.timbertech.com) and select the Warranty & Care link, then select Register Online.
- You may prefer to fill out the Warranty Card below and mail it to TimberTech, accordingly to the instructions on the card.

### Remember, to ensure your product is covered by the TimberTech Warranty it must be installed properly.

TimberTech LTD disclaims any liability or responsibility for the improper installation of this product. The purchaser is solely responsible for compliance with applicable local codes as to the deck's intended use. TimberTech recommends all designs be reviewed by a licensed architect, engineer or local building official before installation. TimberTech maintains a list of physical properties to assist the design professional.

Below is a chart showing which product each warranty covers. You can view warranty details online at [www.timbertech.com](http://www.timbertech.com):

- **Limited 25-Year Residential Warranty / Limited 10-Year Commercial Warranty**
  - Decking:** DockSider, Floorizon, ReliaBoard Plank, ValuPlank, Earthwood, TwinFinish, XLM
  - Railing:** Ornamental Rail, RadianceRail, BuilderRail (excluding all metal baluster components of BuilderRail System), Secure - Mount Post System, ADA Hand Rail System
  - Fencing:** All FenceScape products
  - Accessories:** CONCEALoc, DrySpace
- **Limited 10-Year Warranty for Metal Baluster Components of BuilderRail System**
- **Limited 5-Year Warranty for DeckLites System**

## To Make a Claim

To make a claim under either warranty, purchaser or the transferee, must send to TimberTech, within the warranty period referred to above, a description of the claimed defect and proof of purchase. Warranty Information Packets can be obtained from TimberTech.


### TimberTech Limited

Attn: Claims Department • 894 Prairie Avenue, Wilmington, Ohio 45177 • Or call 1-800-307-7780

**TimberTech Customer:**  
Please complete this warranty card and mail to:

TimberTech  
894 Prairie Avenue  
Wilmington, Ohio 45177  
Attn: Warranty

**This information will help us better serve your needs.**  
Please return warranty card within 30 days of receipt of product.



Name: \_\_\_\_\_ Purchase Date: \_\_\_\_\_

Street Address: \_\_\_\_\_

City: \_\_\_\_\_ State/Province: \_\_\_\_\_ Zip/Postal Code: \_\_\_\_\_

Country: \_\_\_\_\_ Phone: \_\_\_\_\_

**Product Information:**  
Where was your product purchased? \_\_\_\_\_  
How was your product installed? \_\_\_\_\_  
 Contractor Name: \_\_\_\_\_  Self-Installed

**Warranty Registration: Check the TimberTech product that you purchased:**

**Decking:**  Earthwood Evolutions™ Plank  ReliaBoard™ Plank  Accessories:  
 Floorizon® Plank  XLM® Plank \_\_\_\_\_  
 DockSider™ Plank  TwinFinish® Plank

**Railing:**  RadianceRail®  Ornamental Rail  BuilderRail®  Metal Balusters  CableRail  
 RadianceRail® Express  Evolutions Rail™  Secure-Mount System  ADA Hand Rail System

DrySpace™  DeckLites®  FenceScape®

**Demographic Information:** Number of residents in household: \_\_\_\_\_  
Number of household residents in the following age groups:  
 0-12  13-18  19-27  28-39  40-55  55+  
Average household income:  
 Under \$35,000  \$35,000-50,000  \$50,000-70,000  \$70,000-95,000  \$95,000+

High-Performance Decking. Low-Maintenance Living. It's Our Passion.

