

INSTALLATION & MAINTENANCE GUIDE

JANUARY 2013



Dear Valued Customer:



TimberTech would like to thank you for your interest in our railing systems. We strive to better serve our customers and hope that you have a wonderful experience with TimberTech.

TimberTech focuses on quality, innovation and brand in all that we do. With an assortment of plank profiles, industry leading railing systems, fencing and numerous accessories, building beautiful decks has never been easier.

TimberTech is committed to providing builders and professional deck installers with exciting new products our customers demand, as well as programs and support material to differentiate themselves in the marketplace.

TimberTech has compiled this Railing & DeckLites® Installation & Maintenance Guide to provide a thorough resource for technical information for our railing systems and deck lighting system.

To get information on other TimberTech products visit timbertech.com or ask your dealer for these installation guides:

- **TimberTech Decking & DrySpace™ Installation & Maintenance Guide**
- **TimberTech FenceScope® Installation & Maintenance Guide**

Installing TimberTech

TimberTech offers a variety of innovative railing systems and infill options. A variety of color choices allow you to match or complement your TimberTech deck planks.

TimberTech products are a revolutionary alternative to traditional wood—they don't rot, warp or splinter—and they look great year after year. And unlike wood, TimberTech products require no painting, staining or sealing.

Make sure your project meets local building codes before you begin installation.

These installation guidelines will direct you through the process of installing TimberTech railing systems. These methods are recommended by TimberTech but may not cover every installation scenario you encounter. Since each installation is unique in its performance requirements, the ultimate installation method used is the sole responsibility of the installer. TimberTech recommends that all designs be reviewed by a licensed architect, engineer or local building official before installation.

TimberTech Code Listings

Once a product is tested by an independent lab, an application and report is submitted to one of several agencies that provide listings for building products that meet the requirements of Acceptance Criteria 174 (AC 174) as set forth by the International Code Council Evaluation Service (ICC-ES). TimberTech currently has listings from the ICC-ES and Architectural Testing Inc. The following TimberTech reports on code compliance are available to download on www.timbertech.com.

For the most up-to-date code listings visit

www.timbertech.com/installation.

ICC Evaluation Service, Inc.

ICC ESR-1400 • Ornamental Rail System



Underwriters Laboratories, Inc.

E351168 • DeckLites

ATI Architectural Testing, Inc.

CCRR-0114 • RadianceRail

CCRR-0129 • BuilderRail

Code listing for RadianceRail Express Pending

Test Reports:

ADA Hand Rail & Secure Mount Post System tested to requirements of ICC-ES-AC-174

Railing Product Choices

RAILING & RAILING ACCESSORIES	Size	Color/Finish										
		Cedar	Grey	Redwood	Antique White	Classic Black	Coastal White	Mountain Cedar	RiverRock	SandRidge	Traditional Walnut	Brick
RADIANCE RAIL®												
6' RadianceRail Complete Kit-Square Balusters	6' length - 36" high					X	X					
8' RadianceRail Complete Kit-Square Balusters	8' length - 36" high					X	X					
6' RadianceRail Rail Pack	6' length				X	X						
8' RadianceRail Rail Pack	8' length				X	X						
8' RadianceRail Custom Rail Pack (no pre-drilled holes)	8' length				X	X	X	X	X	X	X	X
6' Baluster Pack - Square Balusters	6' length, 36" high / 42" high				X	X	X	X	X	X	X	X
8' Baluster Pack - Square Balusters	8' length, 36" high / 42" high				X	X	X	X	X	X	X	X
Hardware Mounting Kit	N/A											
Post Cover for 4x4 Post (use with 36" rails)	5" x 5" x 42"				X	X	X	X	X	X	X	X
Post Cover for 4x4 Post (use with 42" rails)	5" x 5" x 12"				X	X	X	X	X	X	X	X
Post Cap and Post Skirt	N/A				X	X	X	X	X	X	X	X
RADIANCE RAIL® EXPRESS												
6' RadianceRail Express Rail Pack	6' length					X	X					X
8' RadianceRail Express Rail Pack	8' length					X	X					X
8' RadianceRail Express Stair Rail Pack	8' length					X	X					X
6' Baluster Pack Square Balusters	6' length, 36" high / 42" high					X	X					X
8' Baluster Pack Square Balusters	8' length, 36" high / 42" high					X	X					X
Post cover for 4x4 Post (use with 36" rails)	4"x4" x 39"					X	X					X
Post cover for 4x4 Post (use with 42" rails)	4"x4" x 8"					X	X					X
Hardware Mounting Kit	N/A					X	X					X
Hardware Mounting Kit for stairs	N/A					X	X					X
Gasket Pack	N/A					X	X					X
Post Cap and Post Skirt	N/A					X	X					X
EVOLUTIONS RAIL® CONTEMPORARY												
16' Evolutions Rail Contemporary Top Rail	16' length					X						X
6' Evolutions Rail Contemporary Rail Pack	6' length					X						X
8' Evolutions Rail Contemporary Rail Pack	8' length					X						X
6' Baluster Pack - Square Balusters	36" high / 42" high					X						X
8' Baluster Pack - Square Balusters	36" high / 42" high					X						X
Hardware Kit	N/A					X						X
Post Cover for 4x4 Post (for 36" rail)	5 x 5 x 42"					X						X
Post Cover for 4x4 Post (for 42" rail)	5 x 5 x 8"					X						X
Post Skirt	N/A					X						X
EVOLUTIONS RAIL® BUILDER												
6' Evolutions Rail BuilderBoard	6' length					X						X
8' Evolutions Rail BuilderBoard	8' length					X						X
Metal Baluster Pack - Black	8' length, 36" high / 42" high					X						X
Metal Baluster Pack for Stairs - Black	8' length, 36" high / 42" high					X						X
Hardware Kit	N/A					X						X
Post Cover for 4x4 Post (for 36" rail)	5 x 5 x 42"					X						X
Post Cover for 4x4 Post (for 42" rail)	5 x 5 x 8"					X						X
Post Skirt	N/A					X						X
ORNAMENTAL RAIL												
6' Ornamental Rail Kit:	6' length	X	X	X								
8' Ornamental Rail Kit:	8' length	X	X	X								
6' Baluster Kit, 16 Pre-Cut Solid Square, 36" rail ht.	1.3" x 1.3" x 27"	X	X	X								
8' Baluster Kit, 20 Pre-Cut Solid Square, 36" rail ht.	1.3" x 1.3" x 27"	X	X	X								
4' Post Cover for 4x4 Post	4.25" x 4.25" x 4"	X	X	X								
12' Post Cover for 4x4 Post	4.25" x 4.25" x 12"	X	X	X								
Baluster, Solid Square	1.3" x 1.3" x 12"	X	X	X								
Post Cap and Post Skirt	N/A	X	X	X								
BUILDER RAIL®												
6' BuilderRail Kit: Black Classic Metal Balusters	6' length, 36" high / 42" high											
8' BuilderRail Kit: Black Classic Metal Balusters	8' length, 36" high / 42" high											
8' BuilderRail Stair Kit: Black Classic Metal Balusters	8' length, 36" high / 42" high											
BuilderRail Post Brackets - Black	90°											
BuilderRail Stair Post Brackets - Black	125°											
BuilderBoard® Rails	6' or 8' lengths	X	X	X								
Post Skirt	N/A	X	X	X								
Foot Blocks		X	X	X								
* Use Ornamental Rail Post Covers and Post Skirts with BuilderRail.												
METAL BALUSTERS												
Metal Baluster Pack - Black	8' length, 36" high / 42" high											
Metal Baluster Pack for Stairs - Black	8' length, 36" high / 42" high											
* Use with RadianceRail® and Evolutions Rail™												
CABLERAIL by FEENEY												
Quick-Connect® Hardware Packs	36" high (9 connectors) / 42" high (11 connectors)											
Cable	100' spool and 500' rolls											
CableRail Accessory Pack	N/A											
* Use with RadianceRail® and Evolutions Rail™.												
ADA HAND RAIL SYSTEM												
Grab Rail with Aluminum Insert	1.5" OD x 104"						X	X				
Aluminum Joiner Kit	1" OD x 6"											
Inside/Outside Corner	1-1/2" OD x 4" x 4"						X	X				
Inline Wall Mount Bracket	3"						X	X				
Inside Corner 90° Standoff Bracket	6-1/4"						X	X				
End Cap	1-1/2"						X	X				
Handicap Loop	18" x 12" x 18"						X	X				
Adjustable Internal Joiner												
90° Return Bracket	3.75" x 3.5"						X	X				
External Swivel Connector							X	X				
Standoff Bracket	2-1/4"						X	X				
SECURE-MOUNT POST SYSTEM												
Secure-Mount Post	36" - Adjusts to 42" high if needed											
Deck Mounting Kit (includes leveling kit)	N/A											

RadianceRail® Gate Kit

Visit www.timbertech.com/installation to view TimberTech installation videos.
Consult your local building codes for gate requirements



The RadianceRail Gate Kit is a convenient way to add a premium gate to your railing system.

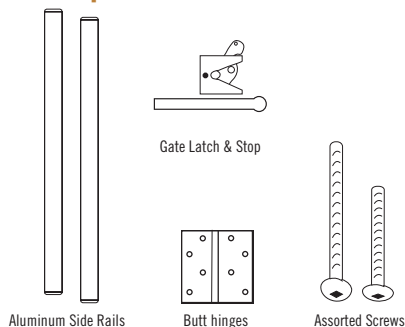
Important Information

- ⚠ The RadianceRail Gate Kit is designed to work with RadianceRail Composite Baluster only.
- The maximum width of a gate built with a Gate Kit is 48".
- Gates should always swing away from the stairs when opening.
- Be sure to install on a post that is plumb; this is critical for the gate to operate properly.
- Installation is easiest with two people.

Components Needed For Installing One RadianceRail Gate with the RadianceRail Gate Kit

RadianceRail Rail Pack	RadianceRail Rail Pack	1 - Top Rail 1 - Bottom Rail 2 - Support Rails T-20 Torx driver bit *Additional items are included but are not needed.
RadianceRail Baluster Pack	RadianceRail Baluster Pack	Square Balusters - 13 in 6' Kits - 18 in 8' Kits Baluster Screw Kit Baluster Screw Kit-6' Kits 13 - #8x2" Coated Screws 13 - #8x3" Coated Screws Baluster Screw Kit-8' Kits 18 - #8x2" Coated Screws 18 - #8x3" Coated Screws
RadianceRail Gate Kit	RadianceRail Gate Kit	2 - Aluminum Side Rails (Brackets Attached) 2 - 4" Black Butt Hinges 1 - Gate Latch and Stop 8 - 3/16" x 1" Self-Drilling Flat Head Screws (black) 8 - 3/16" x 2" Flat Head Screws (black) 2 - 3/16" x 3/4" Self-Drilling Screws (black) 4 - 1/4" x 1" Screws (frame color) 2 - 1/4" x 2" Screws (frame color)

Component Dimensions

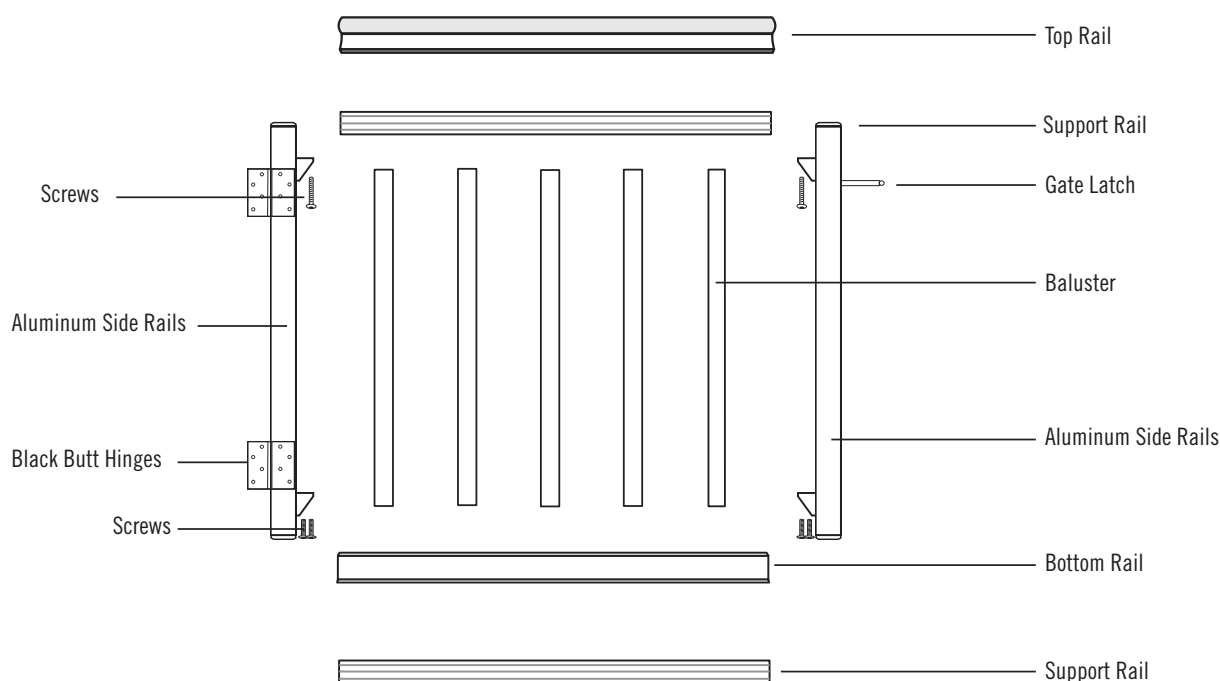


Tools Required

- Miter Saw (blade designed for finish cuts)
- Drill
- Level
- Tape Measure
- 7/64" and 11/64" drill bits
- Phillips Driver Bit

Tools Recommended

- Ratchet

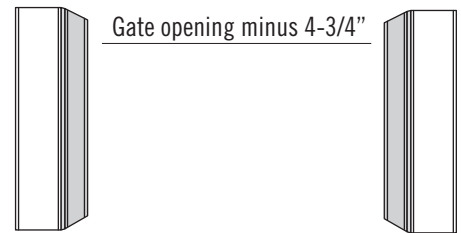


Installing a Gate

- Consult your local building codes for gate requirements.

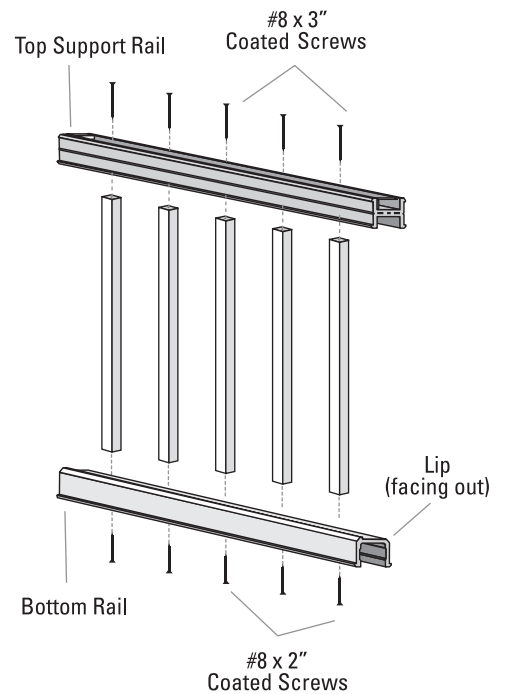
1 Prepare Railing

- Measure the distance between the posts near the top and bottom of the posts. As long as both posts are plumb, this should be the same distance.
- All rails should be cut 4-3/4" shorter than the opening for your gate.
- Cut the Top Rail and bottom Support Rail to length.
- Determine baluster layout on top Support Rail and Bottom Rail. To maximize the baluster spacing between the end balusters and the aluminum Side Rails, center the rail measurement on a pre-drilled hole or halfway between two pre-drilled holes. The space between the end balusters and the aluminum Side Rails should not exceed 4" or should not be less than 1-1/2". Cut top Support Rail and Bottom Rail to length.



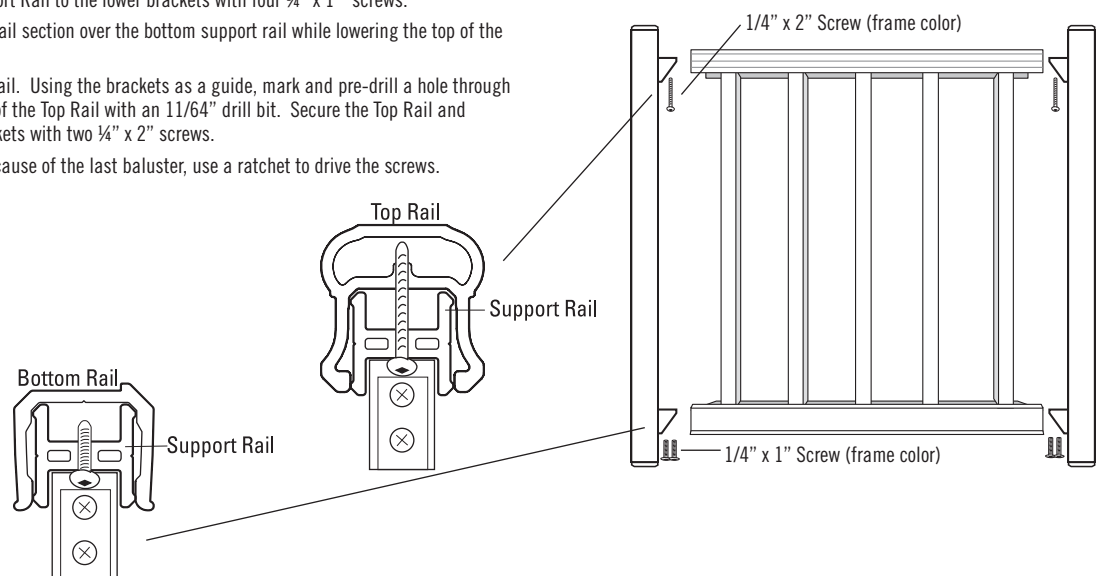
2 Assemble Railing Panel

- Position balusters along the top Support Rail, aligning them with the pre-drilled holes. Secure using #8 x 3" coated screws.
- Position Bottom Rail, using the lip to help align Balusters. Secure using #8 x 2" coated screws.
- Tip for Bottom Rail: partially drive screws into all balusters before driving them in completely.



3 Attach Aluminum Side Rails

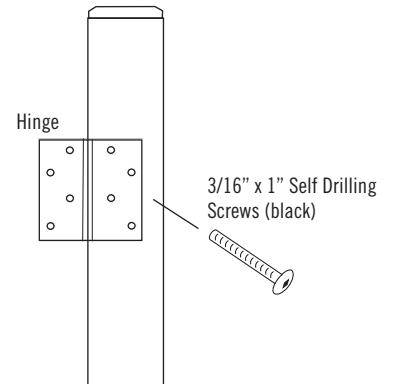
- On a flat surface, position the Side Rails on both sides of the assembled rail section. Place the bottom Support Rail over the lower brackets as shown.
- Using the brackets as a guide, mark and pre-drill two holes in the bottom Support Rail at each end using a 11/64" drill bit. Attach the bottom Support Rail to the lower brackets with four 1/4" x 1" screws.
- Place the Bottom Rail of the assembled rail section over the bottom support rail while lowering the top of the section onto the upper brackets.
- Place the Top Rail over the top Support Rail. Using the brackets as a guide, mark and pre-drill a hole through the top Support Rail and lower cross rib of the Top Rail with an 11/64" drill bit. Secure the Top Rail and assembled rail section to the upper brackets with two 1/4" x 2" screws.
- If access is restricted to this bracket because of the last baluster, use a ratchet to drive the screws.



Installing a Gate: Continued

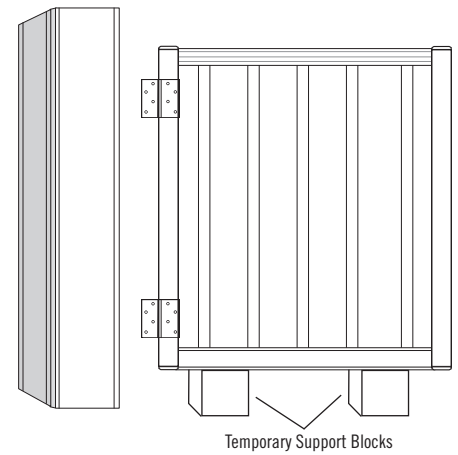
4 Attach Hinges to Aluminum Side Rails

- After test fitting the gate to the gate opening, determine the desired hinge location. Hinges can be placed either in the open position when the gate is closed or in the closed position when the gate is closed (typical for a door).
- Drill $7/64$ " pilot holes and use $3/16$ " x 1" self-drilling screws to attach hinges to the aluminum Side Rails.



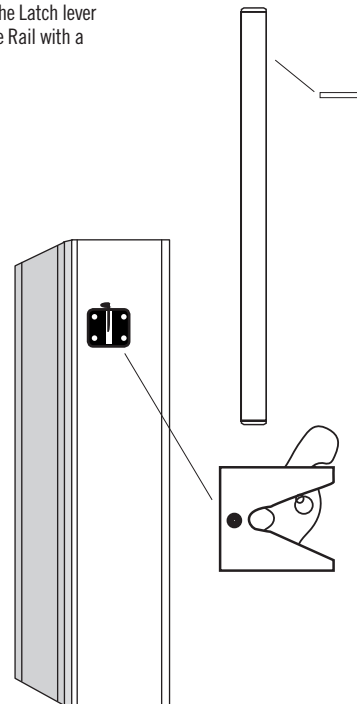
5 Attach Gate to Post

- After positioning the gate to the desired height, pre-drill the Post Cover using a $7/64$ " drill bit. Attach the gate to the post using the $3/16$ " x 2" flat head screws, installing the screws closer to the center of the post first.
- Install Tip: Add temporary support blocking under the gate to help hold the gate at correct height.



6 Attach Latch and Latch Stop

- Position the gate latch on the Post Cover. Pre-drill the Post Cover with a $7/64$ " drill bit. Install the Latch with the Latch lever up, using the provided screws. Position the Latch Stop on the aluminum Side Rail. Drill a pilot hole in the Side Rail with a $7/64$ " drill bit. Attach the Latch Stop using the $3/16$ " x $3/4$ " self drilling screws.



Care & Cleaning

With proper installation and care, TimberTech products will provide years of outdoor living pleasure.

Storage

Store TimberTech products under cover to maintain a clean surface. If stored outdoors, they must be covered with a non-translucent material.

- All products should be stored flat and on a dry surface.
- Stack units with banding and bottom supports aligned.

Discarding Scrap Product

Scrap can be discarded with normal construction debris.

Care & Cleaning

Basic Cleaning Recommendations

Although TimberTech products are low-maintenance, TimberTech recommends periodic cleaning to help maintain the beauty of the product. For best results a cleaner like eco-friendly Corte Clean (corteclean.com) is recommended. Follow the manufacturers' application instructions.

A power washer can be used when cleaning your TimberTech products. The recommended maximum pressure is 1500psi. A fan tip nozzle should be used along with the proper cleaning product. Spray in the direction of the brush/grain pattern to avoid damaging the product. Use caution not to damage the material and always take the proper safety precautions when operating a power washer.

Ice and Snow

For ice removal, either rock salt or calcium chloride may be used without damage to the surface. However, either of these products may leave a white residue, which may be removed by either rinsing with water, or a mild soap/water solution.

Dirt, Grime, Tannin, and Mildew Stains

TimberTech products are formulated to inhibit mildew growth and minimize staining. Rinse off your TimberTech products periodically with a hose. Even if it appears clean, it is important to prevent build-up of pollen/debris. Mildew stains may occur where moisture, pollens, and/or dirt are present. Mildew needs a food source to grow, which can be grass, pollens, dirt, debris, wood and wood resins.

Cleaners that are recommended for use with TimberTech are:

- Sun Frog Composite Deck Cleaner (sunfrog.com)
- Super Deck Composite Deck Cleaner (superdeck.com)
- Corte Clean (corteclean.com)
- E Z Off Composite Wood Cleaner (sunbritesupply.com)
- Thompson's Water Seal—Oxy Action (thompsonswaterseal.com)

Spot Stains

Many stains can be cleaned with soap and water. If the stains have set, the following

cleaners have been found to remove or reduce the stains. Always follow the manufacturer's instructions to achieve maximum results. Areas cleaned may lighten; this will require 8-10 weeks exposure to the sun to match the remaining product.

Ornamental Rail, and BuilderRail:

General Cleaning:

- Soap & Water
- CorteClean

Tree Sap:

- Krud Cutter (krudcutter.com)
- Simple Green (simplegreen.com)

Spray Paint:

- Lift Off #4 (liftoffinc.com)

Oil, Grease:

- Krud Cutter (krudcutter.com)
- Oil Eater (oileater.com)

BBQ, Ketchup, Mustard, Jelly and Jam:

- Krud Cutter (krudcutter.com)

Wine:

- Wine Away (wineaway.com)

Kool-Aid:

- Oxi Clean (oxiclean.com)

RadianceRail & RadianceRail Express:

General Cleaning:

- Soap & Water
- CorteClean

Pencil marks or other scuffs:

- Mr. Clean Magic Eraser

RadianceRail & RadianceRail Express Touch-Up:

Duplicolor 2-in-1 Automobile Touch-up Paint is recommended for scratches, nicks and scuffs on TimberTech RadianceRail:

- For Coastal White use "Gloss White"
- For Classic Black use "Universal Flat Black"

Evolutions Rail:

General Cleaning:

- Soap & Water

5-Year Limited Warranty

RadianceRail[®] Gate Kit

Statement of Warranty: This warranty is given to the original purchaser, residential or commercial as the case may be ("Purchaser"), of the TimberTech RadianceRail™ Gate Kit (consisting of aluminum posts and fasteners). For purposes of this warranty, a residential Purchaser shall refer to a single-family residential homeowner and a commercial Purchaser shall refer to any Purchaser other than a single-family residential homeowner.

TimberTech Limited ("TimberTech") warrants to Purchaser that, for a period of five (5) years from the date of the original purchase (the "Term"), under normal use and service conditions, that the Gate Kit materials will be free from material defects in workmanship and materials, and will not corrode due to exposure to normal environmental conditions.

All warranties are subject to the exclusions, limitations and restrictions set forth below.

Obtaining Warranty Performance: If Purchaser discovers a defect in the RadianceRail™ Gate Kit during the Term, Purchaser must, within thirty (30) days from the discovery of the alleged defect, but no later than the end of the Term, notify TimberTech in writing, at the following address:

TimberTech Limited
894 Prairie Avenue
Wilmington, Ohio 45177
Attn: Claims Department

Purchaser must include in this notification proof of purchase and a statement explaining the defect. TimberTech may request additional information. After reviewing all information, TimberTech will make a determination regarding the validity of such claim. If TimberTech determines that Purchaser's claim is valid, TimberTech will, at its option, either replace the defective part or refund the portion of the purchase price paid by Purchaser for such defective part (not including the cost of its initial installation). This warranty shall not cover, and TimberTech shall not be responsible for, costs and expenses incurred with respect to the removal of any defective RadianceRail™ Gate Kit parts, or the installation of replacement materials, including but not limited to, labor and freight. The foregoing remedies are the SOLE AND EXCLUSIVE REMEDY FOR BREACH OF ANY WARRANTY.

Transfer of Warranty: This warranty may be transferred one (1) time within the Term to a subsequent purchaser of the property upon which the RadianceRail™ Gate Kit was originally installed. Transfer of this warranty does not extend the Term of the warranty.

Exclusions from Warranty Coverage: TimberTech does not warrant against and is not responsible for, and no implied warranty shall be deemed to cover, any product failure, product malfunction, or damages attributable to: (1) improper installation of the RadianceRail™ Gate Kit and/or failure to abide by TimberTech's installation guidelines; (2) use of the RadianceRail™ Gate Kit beyond normal use, or in an application not recommended by the TimberTech installation guidelines and local building codes; (3) movement, distortion, collapse or settling of the ground or the supporting structure on which the RadianceRail™ Gate Kit is installed; (4) any act of God (such as flooding, hurricane, earthquake, lightning, etc.), environmental condition (such as air pollution, mold, mildew, etc.), or staining from foreign substances (such as dirt, grease, oil, etc.); (5) variations or changes in color of the RadianceRail™ Gate Kit; (6) normal weathering due to exposure to sunlight, weather and atmosphere which can cause colored surfaces to, among other things, flake, chalk, or accumulate dirt and stains; or (7) improper handling, storage, abuse or neglect of the RadianceRail™ Gate Kit by Purchaser, the transferee or third parties.

Purchaser is solely responsible for determining the effectiveness, fitness, suitability and safety of the RadianceRail™ Gate Kit in connection with its use in any particular application.

ALL IMPLIED WARRANTIES, INCLUDING BUT NOT LIMITED TO THE IMPLIED WARRANTY OF MERCHANTABILITY AND IMPLIED WARRANTY OF FITNESS FOR A PARTICULAR PURPOSE, ARE LIMITED IN DURATION TO THE TWENTY-FIVE YEAR DURATION OF THE RESIDENTIAL LIMITED WARRANTY AND ARE DISCLAIMED FOR ALL PERIODS THEREAFTER.

Limitations: DISCLAIMER OF WARRANTIES (RESIDENTIAL PURCHASER): EXCEPT FOR THE EXPRESS WRITTEN WARRANTY CONTAINED HEREIN, TIMBERTECH MAKES NO OTHER EXPRESS WARRANTIES, GUARANTEES OR INDEMNITIES, ARISING BY COURSE OF DEALING, USAGE OF TRADE OR CUSTOM, AND ALL SUCH OTHER EXPRESS WARRANTIES, GUARANTEES AND INDEMNITIES ARE HEREBY DISCLAIMED, OVERRIDDEN AND EXCLUDED FROM THIS TRANSACTION FOR THE WARRANTY TERM AND BEYOND THE WARRANTY TERM.

Limitations: DISCLAIMER OF WARRANTIES (COMMERCIAL PURCHASERS): EXCEPT FOR THE EXPRESS WRITTEN WARRANTY CONTAINED HEREIN, TIMBERTECH MAKES NO OTHER WARRANTIES, GUARANTEES OR INDEMNITIES, WHETHER EXPRESS OR IMPLIED, ARISING BY LAW, COURSE OF DEALING, USAGE OF TRADE, CUSTOM OR OTHERWISE, INCLUDING BUT NOT LIMITED TO THE IMPLIED WARRANTY OF MERCHANTABILITY AND IMPLIED WARRANTY OF FITNESS FOR A PARTICULAR PURPOSE, AND ALL SUCH OTHER WARRANTIES, GUARANTEES AND INDEMNITIES ARE HEREBY DISCLAIMED, OVERRIDDEN AND EXCLUDED FROM THIS TRANSACTION FOR THE WARRANTY TERM AND BEYOND THE WARRANTY TERM.

Some states do not allow limitations on how long an implied warranty lasts so the above limitation may not apply to you.

LIMITATION OF REMEDIES AND EXCLUSION OF CONSEQUENTIAL AND INCIDENTAL DAMAGES: TIMBERTECH'S LIABILITIES ARE LIMITED SOLELY AND EXCLUSIVELY TO THE OBLIGATIONS SPECIFICALLY UNDERTAKEN HEREIN, AND UNDER NO CIRCUMSTANCES WILL TIMBERTECH BE LIABLE OR OBLIGATED FOR ANY INCIDENTAL, CONSEQUENTIAL, INDIRECT, SPECIAL, PUNITIVE OR ANY OTHER DAMAGES OF ANY KIND WHATSOEVER (INCLUDING, BUT NOT LIMITED TO, LOST PROFITS, LOST SALES, LOSS OF GOODWILL, USE OF MONEY, USE OF GOODS, STOPPAGE OF WORK, OR IMPAIRMENT OF ASSETS), WHETHER FORESEEABLE OR UNFORESEEABLE, ARISING OUT OF BREACH OR FAILURE OF EXPRESS OR IMPLIED WARRANTY, BREACH OF CONTRACT, FRAUD, MISREPRESENTATION, NEGLIGENCE, STRICT LIABILITY IN TORT OR OTHERWISE, EXCEPT AND ONLY TO THE EXTENT THIS LIMITATION IS SPECIFICALLY PRECLUDED BY APPLICABLE LAW OF MANDATORY APPLICATION. TIMBERTECH'S LIABILITY WITH RESPECT TO DEFECTIVE PRODUCTS SHALL IN NO EVENT EXCEED THE REPLACEMENT OF SUCH PRODUCTS OR REFUND OF THE PURCHASE PRICE, AS DESCRIBED ABOVE.

Some states do not allow the exclusion or limitation of incidental or consequential damages, so the above limitation or exclusion may not apply to you. This warranty gives you specific legal rights, and you may also have other rights that vary from state to state.

Miscellaneous: This writing is understood and intended to be the final expression of the parties' agreement and is a complete and exclusive statement of the terms and conditions with respect thereto, superseding all prior agreements or representations, oral or written, and all other communication between the parties relating to the subject matter of this agreement. This warranty may not be altered or amended except in a written instrument signed by TimberTech and Purchaser or permitted transferee. No agent, employee or any other party is authorized to make any warranty in addition to that made in this agreement and TimberTech shall not be bound by any such statements other than those contained in the warranty.

This warranty is effective for purchases (Residential or Commercial, as the case may be) made on or after August 1st, 2011.

Copyright (c) 2011 TimberTech.

Every TimberTech product is backed by exceptional customer service and a commitment to quality

Warranty Registration is Easy

- The easiest way to register a warranty is to visit www.timbertech.com and select the Warranty & Care link, then select Register Online.
- You may prefer to fill out the Warranty Card below and mail it to TimberTech, accordingly to the instructions on the card.

Remember, to ensure your product is covered by the TimberTech Warranty it must be installed properly.

TimberTech LTD disclaims any liability or responsibility for the improper installation of this product. The purchaser is solely responsible for compliance with applicable local codes as to the deck's intended use. TimberTech recommends all designs be reviewed by a licensed architect, engineer or local building official before installation. TimberTech maintains a list of physical properties to assist the design professional.

Below is a chart showing which product each warranty covers. You can view warranty details online at www.timbertech.com:

- **Limited 25-Year Residential Warranty / Limited 10-Year Commercial Warranty**
 - Decking:** DockSider, Floorizon, ReliaBoard Plank, ValuPlank, Earthwood, TwinFinish, XLM
 - Railing:** Ornamental Rail, RadianceRail, BuilderRail (excluding all metal baluster components of BuilderRail System), Secure - Mount Post System, ADA Hand Rail System
 - Fencing:** All FenceScape products
 - Accessories:** CONCEALoc, DrySpace
- **Limited 10-Year Warranty for Metal Baluster Components of BuilderRail System**
- **Limited 5-Year Warranty for DeckLites System**

To Make a Claim

To make a claim under either warranty, purchaser or the transferee, must send to TimberTech, within the warranty period referred to above, a description of the claimed defect and proof of purchase. Warranty Information Packets can be obtained from TimberTech.


TimberTech Limited

Attn: Claims Department • 894 Prairie Avenue, Wilmington, Ohio 45177 • Or call 1-800-307-7780

TimberTech Customer:
Please complete this warranty card and mail to:

TimberTech
894 Prairie Avenue
Wilmington, Ohio 45177
Attn: Warranty

This information will help us better serve your needs.
Please return warranty card within 30 days of receipt of product.



Name: _____ Purchase Date: _____

Street Address: _____

City: _____ State/Province: _____ Zip/Postal Code: _____

Country: _____ Phone: _____

Product Information:
Where was your product purchased? _____
How was your product installed? _____
 Contractor Name: _____ Self-Installed

Warranty Registration: Check the TimberTech product that you purchased:

Decking: Earthwood Evolutions™ Plank ReliaBoard™ Plank Accessories:
 Floorizon® Plank XLM® Plank _____
 DockSider™ Plank TwinFinish® Plank

Railing: RadianceRail® Ornamental Rail BuilderRail® Metal Balusters CableRail
 RadianceRail® Express Evolutions Rail™ Secure-Mount System ADA Hand Rail System

DrySpace™ DeckLites® FenceScape®

Demographic Information: Number of residents in household: _____
Number of household residents in the following age groups:
 0-12 13-18 19-27 28-39 40-55 55+
Average household income:
 Under \$35,000 \$35,000-50,000 \$50,000-70,000 \$70,000-95,000 \$95,000+

High-Performance Decking. Low-Maintenance Living. It's Our Passion.

