



# INDUSTRIAL ALUMINUM FENCE

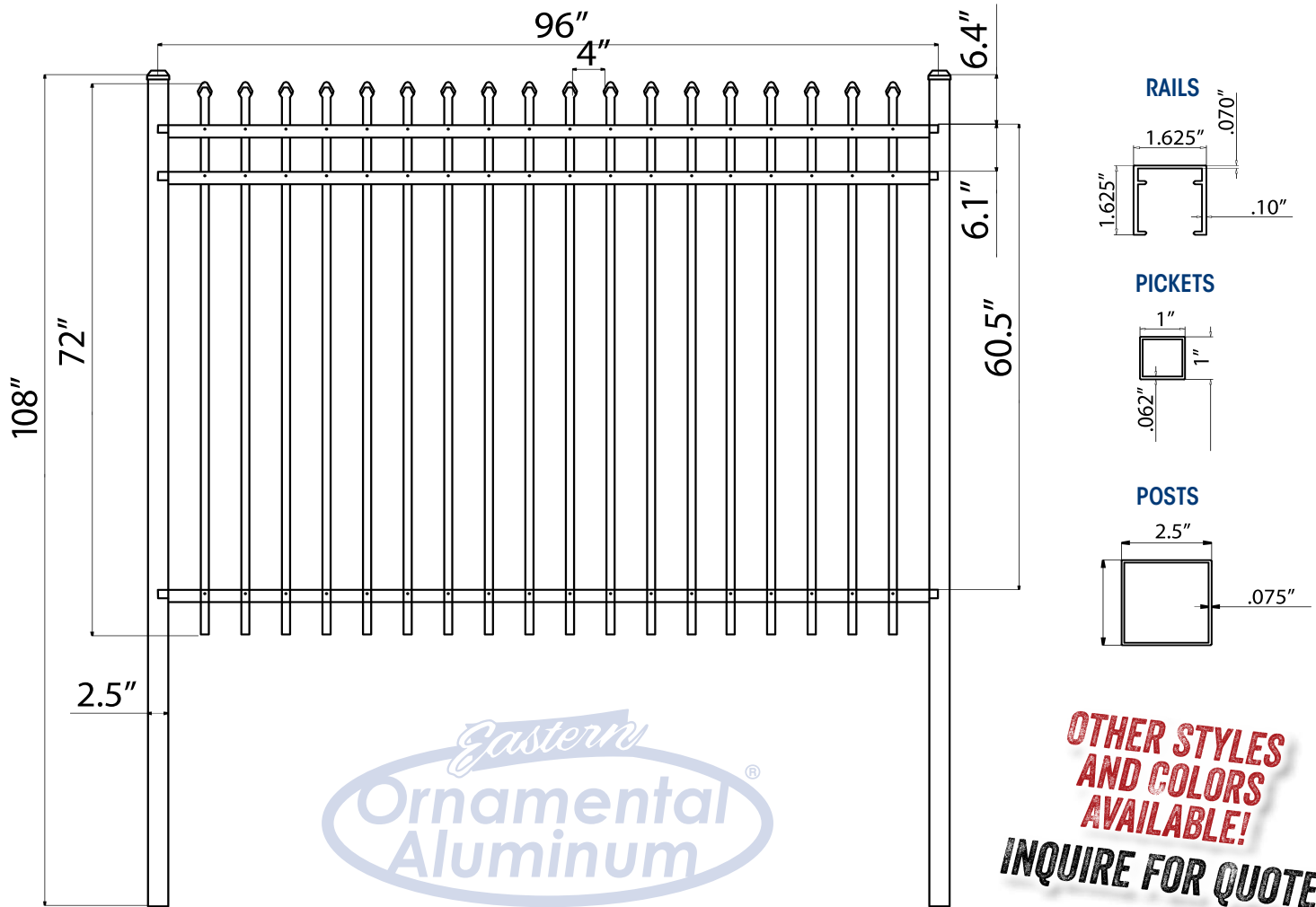


ORNAMENTAL 1" X 1" PICKET

[www.EasternOrnamentalFence.com](http://www.EasternOrnamentalFence.com)

**QuickShip**<sup>®</sup> - IN STOCK ITEM - NO WAIT

EO6101IND-BK - INDUSTRIAL 1" x 1" PICKET



## ACCESSORIES

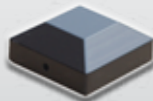
**QuickShip**<sup>®</sup>  
IN STOCK ITEMS  
NO WAIT!



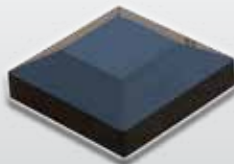
EOBC250-BK  
2-1/2" Ball Cap



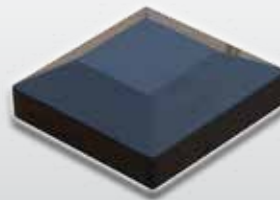
EOBC4-BK  
4" Ball Cap



EOFC250-BK  
2-1/2" Flat Cap



EOFC4-BK  
4" Flat Cap



EOFC6-BK  
6" Flat Cap



4" x 4" and 6" x 6" POSTS  
ALSO AVAILABLE IN STOCK

# FEATURES AND BENEFITS



**Eastern Ornamental Aluminum Industrial 1" x 1" Picket Fence** offers the beauty of wrought iron fence without the maintenance or cost. It can be used for code compliant swimming pool fence, security fencing, animal fence, residential fence, commercial/industrial aluminum fence and any general purpose perimeter fence.

**Eastern Ornamental** also offers custom fencing. Anything can be made for specialized needs – just let us know and we will have it quoted quickly. Industrial grade fencing is traditionally used to define high visibility property boundary definition and for a high level of security. **Eastern Ornamental Aluminum Industrial 1" x 1" Picket Fencing** has been designed to withstand above-average abuse and to act as a deterrent to trespassers.

- **QUICKSHIP®** - (In Stock - No Wait)
- **PICKETS:** 1" x 1" (.062" Wall)
- **PICKET SPACING:** 3-31/32"
- **RAILS:** 1-5/8" x 1-5/8" (.10" Wall)
- **POSTS:** 2.5" x 2.5" (.075" Wall),  
4" x 4" (.125" Wall),  
6" x 6" (.188" Wall)
- **FINISH:** DuPont® Alesta® Powder Coat Finish
- **ALLOY PICKETS:** 6063-T5
- **ALLOY RAILS:** 6061-T6
- **ALLOY POSTS:** 6061-T6

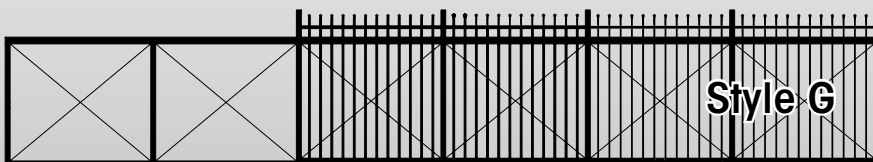
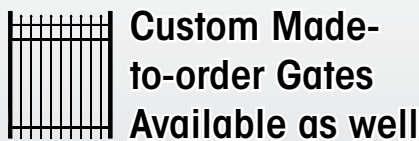


## GATES & CUSTOM FABRICATION

COMPLETE LINE OF WALK, DRIVE, AND EASTERN INTERNAL SLIDE GATES™ AVAILABLE

Eastern Ornamental is proud to offer a full range of custom fabrications to meet any size or design of panels and gates you have in mind. With a custom fabrication shop, the staff is available to help design and build any panel or gate to your individual specifications and style. For assistance with developing custom panels and gates, or information about custom colors and pricing, please contact us at:

[www.easternornamentalfence.com](http://www.easternornamentalfence.com)



### LATCHES & HINGES



EOL-BK  
Ornamental Latch



V21LL  
Gravity Latch (Keyed)  
2-Sides



EOHIND-BK  
Orn. Industrial Hinge

# 3 PART SPECIFICATION

## **PART 1 GENERAL**

### **1.01 Description**

- A. Furnish and install industrial grade aluminum ornamental fence and accessory materials as provided by Eastern Ornamental Fence and as indicated on the drawings and as specified. The work includes, but is not limited to the following:
1. Fences, gates and related hardware.

### **1.02 Quality Assurance**

- A. References
1. AAMA 800- Specifications and test methods for sealants
  2. AAMA 2603 - Voluntary Specification, Performance Requirements and Test Procedures for Pigmented Organic Coatings on Aluminum Extrusions and Panels
  3. ASTM B117- Standard practice for operating salt spray apparatus
  4. ASTM D1654- Standard test method for evaluation of painted or coated specimens subjected to corrosive environments
  5. ASTM D523- Standard test method for specular gloss..
  6. Accelerated weathering for 500 hours under Method 6152 of Federal Test Method 141 shall show no adhesion loss, with only slight fading, chalking and water staining.
  7. Outdoor weathering shall show no adhesion loss, checking of crazing, with only slight fade and chalk when exposed for one year in Florida facing south at a 45 degree angle.
  8. Minimum hardness of 2H using ASTM D3363

### **1.03 Submittals**

- A. Manufacturer's product literature and certification
- B. Shop drawings in sufficient detail to show fabrication, anchorage and interface of the work. Include plan layout, accessories, fittings and hardware.

### **1.04 Warranty**

- A. The entire fence system shall have a Limited Lifetime warranty against defects in workmanship and material while the finish must also carry a limited lifetime warranty against cracking, chipping or peeling.

## **PART 2 PRODUCTS**

### **2.01 Supplier**

Eastern Ornamental Fence  
<http://www.EasternOrnamentalFence.com>

### **2.02 Materials**

- A. Aluminum Extrusions: All posts and rails shall be extruded from 6061-T6 aluminum alloy having a minimum yield strength of 39,900 PSI. All pickets shall be extruded from 6063-T5 aluminum alloy having a minimum yield strength of 27,000 PSI.
- B. Fasteners: All fasteners shall be stainless steel with a zinc dichromate coating for enhanced corrosion resistance. Phillips head screws shall be used to attach the pickets to the rails while self-drilling, self-tapping (Phillips) head screws shall be used to connect the rails to the post. All screws shall be painted to match the finish of the fence.
- C. Accessories: All castings used for post caps, finials, scrolls, rail/base attachments and latches shall be made from zinc or aluminum. Only stainless steel fasteners may be used with these accessories. All accessories will be painted to match the finish of the fence.

### **2.03 Finish**

- A. A four stage pretreatment shall be applied to assure maximum adhesion and corrosion resistance
- B. After the pretreatment, the metal is dried and all materials shall be coated with a DuPont Alesta powder coat finish.
- C. The color to be selected by the architect from the manufacturer's standard color selections.

### **2.04 Construction**

- A. Industrial Series
1. Horizontal Rails shall be 1-5/8" square "U" channels. Pickets shall pass through holes punched in the top rail. The rails shall have a top

wall thickness of 0.70" and a side wall thickness of .100". Sections will be manufactured with three horizontal rails

2. Pickets shall be fastened to the rails using zinc-coated stainless steel screws painted to match the color of the fence. Screws shall be used on only one side of the rail leaving the other side with a clean appearance. Pickets shall be 1" square with a .062" wall thickness.
3. Posts shall be 2-1/2" square with a .075" wall thickness.
4. Gate posts shall be [4" square with a .125" wall thickness] [6" square with a .188" wall thickness]. A gate requires a gate post on both sides. A cast aluminum cap is to be used on all posts.
5. Spacing shall be 3-31/32" between pickets.
6. Installed Centers shall be 96" on center (2-1/2" posts).
7. Height shall be 72"
8. Color shall be powder coated black.

### **2.05 Concrete**

- A. Comply with requirements specified in Section 03 11 13 - Structural Cast-in-Place Concrete Forming

### **3.01 Surface Conditions**

- A. Examine the areas and conditions under which work of this section will be performed. Correct conditions detrimental to timely and proper completion of work. Do not proceed until unsatisfactory conditions are corrected.

## **PART 3 EXECUTION**

### **3.02 Installation**

- A. Follow manufacturer's instructions for the installation of all gates and fencing.
- B. All material must be checked upon receipt at the job site prior to installation to check for damage that may have occurred during transport. The fence system must be stored in a safe place and dry environment so as to protect it from any potential damage. The fence system must be installed with manufacturer's standard procedures.

### **3.03 Setting Posts**

- A. Remove loose and foreign materials from sites and bottoms of holes and moisten soil prior to pouring concrete. Center and align posts in holes. Place concrete around posts in a continuous pour and vibrate or tamp for consolidation.
- B. Check each post for vertical and top alignment. Hold in position during placement and finishing operation. Trowel tops of footings and slope or dome to direct water away from posts.
- C. Set keeps, stops, sleeves and other accessories into concrete as required. Keep exposed concrete surfaces moist for at least seven days after placement, or cure with a membrane curing material. Grout-in those parts with are set into sleeved holes, concrete constructions or rock excavations using non-shrink Portland cement grout.

### **3.04 Installing Gates**

- A. Install gates plumb, level and secure for full opening without interference. Install ground-set items in concrete for anchorage in accordance with manufacturer's recommendations as approved by the architect. Lubricate and adjust the hardware for smooth operation.

## WARRANTY

Eastern Ornamental Fence manufactures fence systems using the finest in materials and coatings to bring you the most beautiful, strong, and durable fence system on the market.

All Eastern Ornamental Aluminum Industrial 1" x 1" Picket fence components manufactured by Eastern Ornamental Fence and coated are warranted against workmanship with a Limited Lifetime Warranty from the original purchase date as shown on the receipt.

For a full warranty statement or more information, please contact:

[www.EasternOrnamentalFence.com](http://www.EasternOrnamentalFence.com)